

DESCRIPTION

The YVL is engineered for versatile outdoor applications, offering multiple mounting configurations including post top, pole mount, surface mount, wall mount, and pendant options. Featuring selectable color temperature and wattage, it provides flexible illumination tailored to a variety of project requirements. Constructed with a durable, weather-resistant housing, this fixture is built to withstand harsh outdoor conditions while delivering reliable, energy-efficient performance across a wide range of architectural and site lighting applications.

SPECIFICATIONS

Construction:

- Rugged die-cast aluminum construction delivers long-lasting durability and dependable performance in even the most demanding environments.

Optics:

- Selectable Wattage and CCT.
- Type II, Type III, Type IV and Type V.
- External Half Glare shield is available.

Electrical:

- Standard with 0-10V dimming driver(s) from 1% to 100%.
- 120-277VAC / 480VAC (125W Only) 50/60Hz.
- THD: ≤20%
- Designed to withstand surges of up to L/N-PE:10kV
- 3.3ft (39.4") long power cord provided for easier installation.

Controls:

- Photocell and Motion Sensor optional.

Ambient Temperature:

- Ambient operating temperature -40°F to 113°F.

Lifespan:

- Estimated 50,000-hour LED lifespan based on IES LM-80 results and TM-21 calculations

Project:	Date
Type:	
Model:	



ORDER INFORMATION

EXAMPLE: YVL-PT-WS63-Y-CCTS-3M-BK



Series	Mounting	Wattage	Voltage	CCTS	Optics	Photocell	Sensor options	Back-light Shield	Emergency Battery Back-up	Finish
YVL LED Versatile Luminaire	PT Post Top	WS63 63W/53W/33W	Y 120-277V	CCTS 30K/40K/50K	2M	Blank No photocell	Blank No sensor	Blank No shield	Blank No EB	BZ Bronze
	DA** Direct Mount Arm*				3M	PC with photocell	MS Motion Sensor	HGS Half Glare Shield		
	SM** Surface Mount	WS125 125W/105W/76W	HV 480V High Voltage for 125W only.	4M	5M		MSB Motion Sensor w/ Bluetooth		EB Emergency Battery Back-up	BK** Black
	WM** Wall Mount									
PD** 3/4" NPS Pendant Mount										

Enter configuration:

* Post Top standard / Pole mount brackets works for Round or Square Poles.

** Contact vendor for leadtime

Dimensions and values shown are nominal. LuminosoLED continually works to improve products and reserves the right to make changes which may alter the performance or appearance of products.

YVL Versatile Luminaire

LED Versatile luminaire (standard) with multiple mounting options —
Post Top, Pole, Ceiling, Wall, and Pendant with Selectable Wattage & CCT










PERFORMANCE DATA

Model	Wattage Selectable	Lumens	Efficacy	CCT Selectable	Power Factor	Frequency	Voltage
YVL	63/53/33W	9,135	145	(30K/40K/50K)	>0.9	50/60Hz	120-277V
	125/105/76W	18,125	145	(30K/40K/50K)	>0.9	50/60Hz	120-277V

ELECTRICAL DATA

Model Series	Wattage(W)	Current (A)					
		Input Voltage (V)					
		120	200	240	277	347	480
YVL-WS63	33	0.31	0.18	0.15	0.13	0.11	N.A.
	53	0.49	0.29	0.25	0.21	0.17	N.A.
	63	0.58	0.35	0.29	0.25	0.20	N.A.
YVL-WS108	76	0.70	0.42	0.35	0.30	0.24	0.18
	105	0.97	0.58	0.49	0.42	0.34	0.24
	125	1.16	0.69	0.58	0.50	0.40	0.29

EPA *Data: Luminaire & integral mounting arm (0°tilt). Other tenons, arms, brackets or other accessories are not included.

Model	EPA(ft ²)						
	Pole Mount Arm for Round or Square Poles						Post Top Mount
	Single	2@90	2@180	@90	@120	4@90	Single
							
YVL	3.51	3.93	4.23	4.28	4.24	4.28	4.45

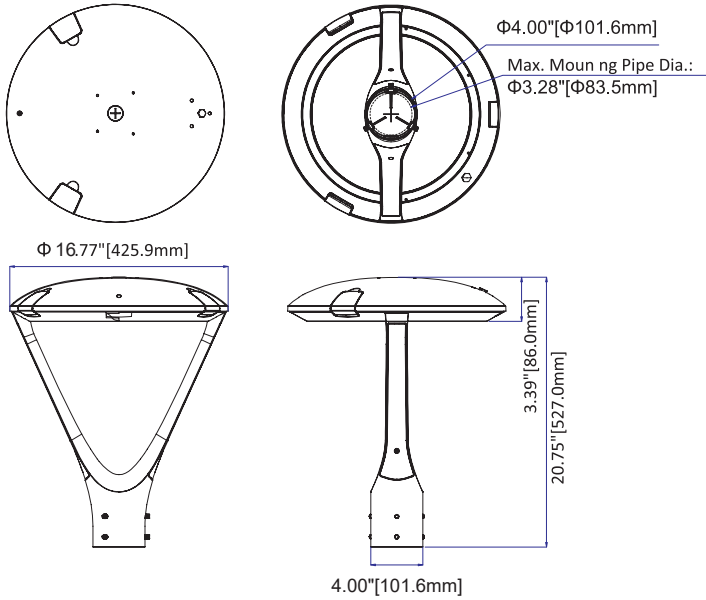
YVL Versatile Luminaire

LED Versatile luminaire (standard) with multiple mounting options —
 Post Top, Pole, Ceiling, Wall, and Pendant with Selectable Wattage & CCT

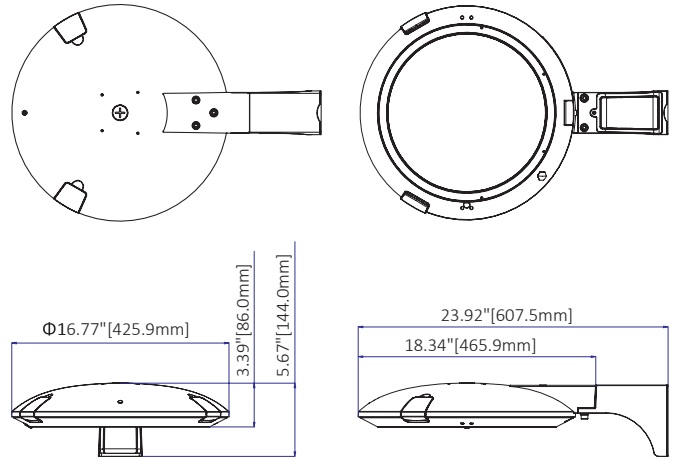


DIMENSIONS & WEIGHT

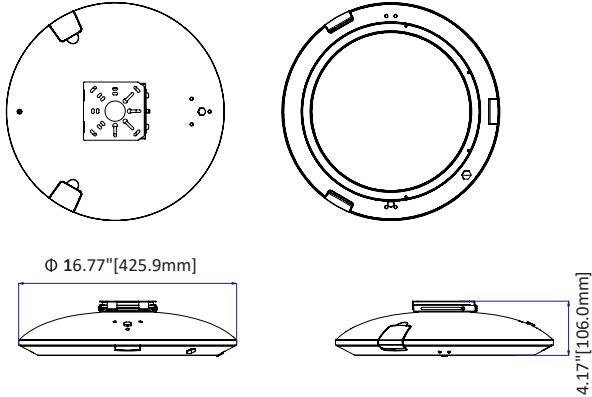
Post Top Mount



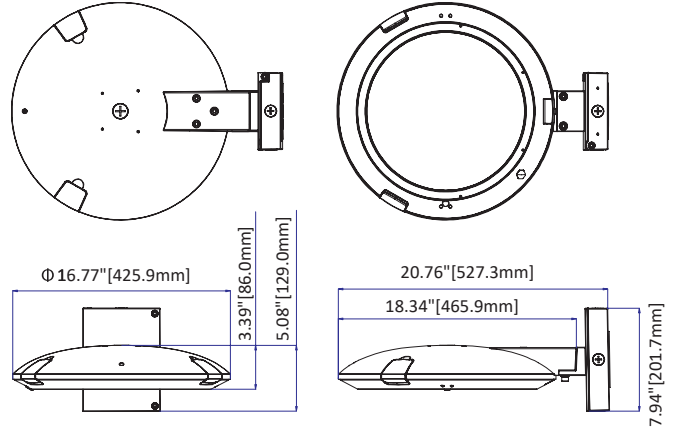
Direct Arm Mount for Round or Square Poles



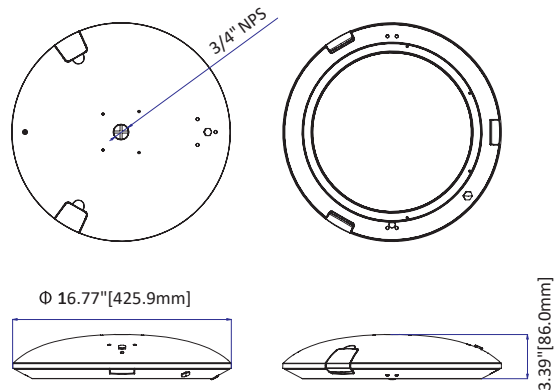
Surface Mount



Wall Mount



Pendant Mount (3/4" NPS Conduit not included)



YVL Versatile Luminaire

LED Versatile luminaire (standard) with multiple mounting options —
 Post Top, Pole, Ceiling, Wall, and Pendant with Selectable Wattage & CCT



MOUNTS & BRACKET OPTIONS

May be packaged separately (Sold separately)

	<p>PT Post Top Mount</p>		<p>SM Surface Mount</p>
	<p>DA Direct Arm Mount Square & Round Pole Mount</p>		
	<p>WM Wall Mount</p>		

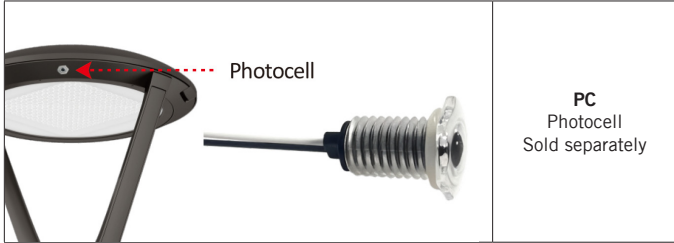
YVL Versatile Luminaire

LED Versatile luminaire (standard) with multiple mounting options —
Post Top, Pole, Ceiling, Wall, and Pendant with Selectable Wattage & CCT

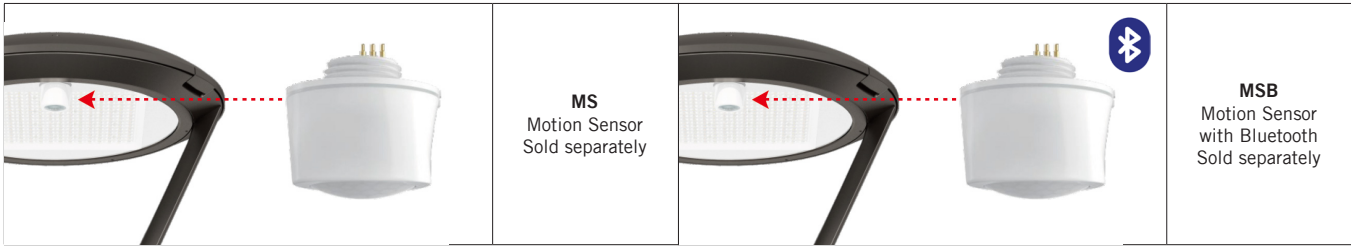


ACCESSORIES

Control Options (purchase separately)



Sensor Options (purchase separately)



Sensor Options (purchase separately)



Emergency Battery Back-up (Optional)



ACCESSORIES (Glare Control Shield)

Field-installable / Field-Use ONLY (purchase separately)



YVL Versatile Luminaire

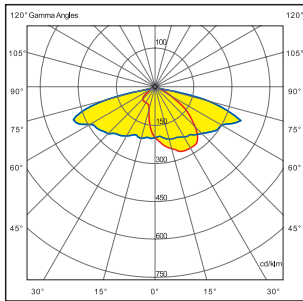
LED Versatile luminaire (standard) with multiple mounting options —
Post Top, Pole, Ceiling, Wall, and Pendant with Selectable Wattage & CCT



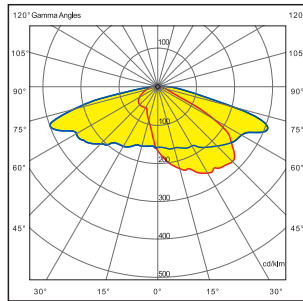
PHOTOMETRICS

Luminoso LED provides a comprehensive range of optical systems, catering to diverse site lighting needs. Offering exceptional flexibility, these systems enable precise customization of light distribution patterns to perfectly align with specific site requirements.

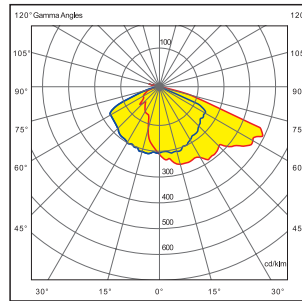
Type 2



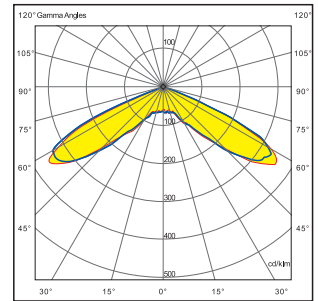
Type 3



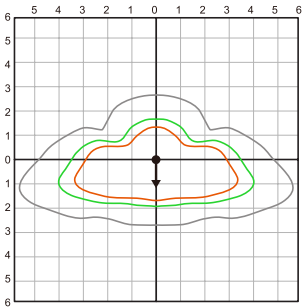
Type 4



Type 5 (Standard)

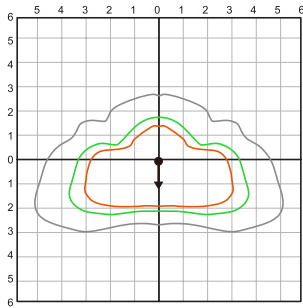


Isoillumination



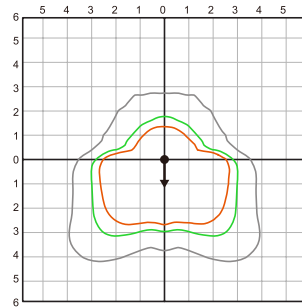
■ 0.1 Fc ■ 0.5 Fc ■ 1 Fc
Isofootcandle plots for the 125W.
Distances are in units of mounting height(15ft)

Isoillumination



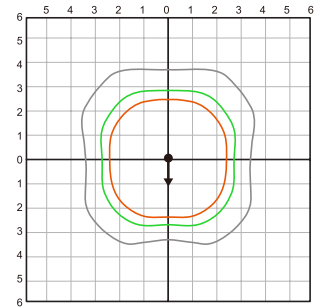
■ 0.1 Fc ■ 0.5 Fc ■ 1 Fc
Isofootcandle plots for the 125W.
Distances are in units of mounting height(15ft)

Isoillumination



■ 0.1 Fc ■ 0.5 Fc ■ 1 Fc
Isofootcandle plots for the 125W.
Distances are in units of mounting height(15ft)

Isoillumination



■ 0.1 Fc ■ 0.5 Fc ■ 1 Fc
Isofootcandle plots for the 125W.
Distances are in units of mounting height(15ft)