

Project:	Date
Type:	
Model:	

SPECIFICATIONS

Construction:

- Constructed from rugged die-cast aluminum, the Amber Area Light incorporates advanced heat sinking and flow-through venting for optimal thermal performance, improving LED efficiency and longevity. The fully sealed housing safeguards internal components from moisture and environmental exposure. Its 3G vibration-rated, compact design minimizes wind load, and the low EPA supports optimized pole selection.

Optics:

- Available in IES Type III, IV, V distributions
- Light engines are Turtle & wildlife friendly, 590nm amber light.
- Optics is precisely designed to shape the distribution, maximizing efficiency and application spacing.
- The optics can conform to dark sky requirement.

Electrical:

- Universal 120-277 VAC or 347-480 VAC input voltage
- 10KA(@120-277V) or 20KA(@480V) surge protection
- Standard with 0-10V dimming driver(s) from 5% to 100%*
- THD: ≤20%
- Power Factor: ≥90%
- 2FT (24") long power cord provided for easier installation.

Controls:

- Optional PIR sensor, Max mounting 39.4ft.
- Optional NEMA 3-pin photocell or 7-pin photocell.

Ambient Temperature:

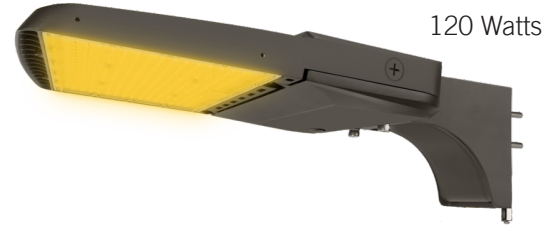
- Ambient operating temperature -40°F to 113°F.

Installation:

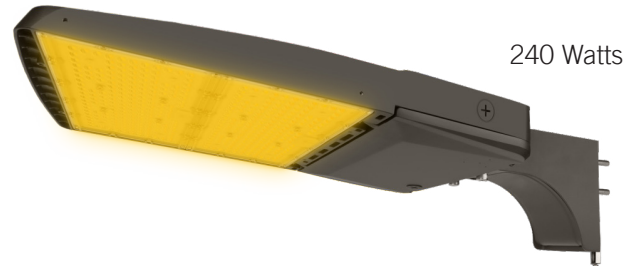
- Mounting heights ranging from 26-50ft in area lighting applications.
- Round pole, Square pole, slipfitter, wall mount and Trunnion are available.

Lifespan:

- Estimated 70,000-hour LED lifespan based
- on IES LM-80 results and TM-21 calculations



120 Watts



240 Watts

ORDER INFORMATION

EXAMPLE: YTAL-120W-Y-AMB-3M-SF-BK



Series	Wattage	Voltage	LED Color	Optics	Mounting	Photocell	Sensor options	Back-light Shield	Finish
YTAL Amber LED Area Light for Turtle Safe	120W 120 Watts	Y 120-277V	AMB Amber 590nm	3M	SF Slipfitter	Blank No photocell	Blank No sensor	Blank No shield	BK Black
				4M	TR Trunnion	PC with photocell	MS Motion Sensor	FVS Full Visor Shield	WH White
	5M	WM Wall Mount SRP Square & Round Pole Mount UBM Universal Bracket Mount ASRP Adjustable Square & Round Pole Mount		PCHV with photocell 277-480VAC SC Shorting Cap	MSB Motion Sensor w/ Bluetooth	HGS Half Glare Shield	BZ Bronze		
	240W 240 Watts	HV 480V							

Enter configuration:

* The fixtures do not have dimming wires led out by default; an additional cost will be required for modification to include them.

Dimensions and values shown are nominal. LuminosoLED continually works to improve products and reserves the right to make changes which may alter the performance or appearance of products.

PERFORMANCE DATA










Model	Wattage	Lumens	Efficacy	LED Color	Power Factor	Frequency	Voltage
YTAL	120W	3,120	26	Amber 590nm	>0.9	50/60Hz	120-277V / 277-480V

Model	Wattage	Lumens	Efficacy	LED Color	Power Factor	Frequency	Voltage
YTAL	240W	5,280	22	Amber 590nm	>0.9	50/60Hz	120-277V / 277-480V

ELECTRICAL DATA

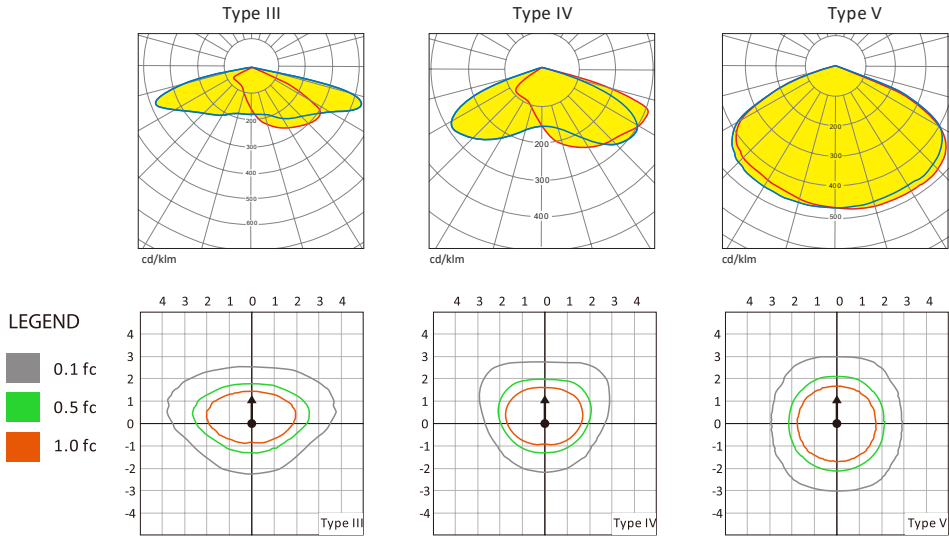
Model Series	Wattage(W)	Current (A)					
		Input Voltage (V)					
		120	208	240	277	347	480
YTAL 120W	120	1.11	0.64	0.56	0.48	0.38	0.28
YTAL 240W	240	2.22	1.28	1.11	0.96	0.77	0.56

EPA (Square and round poles arm)

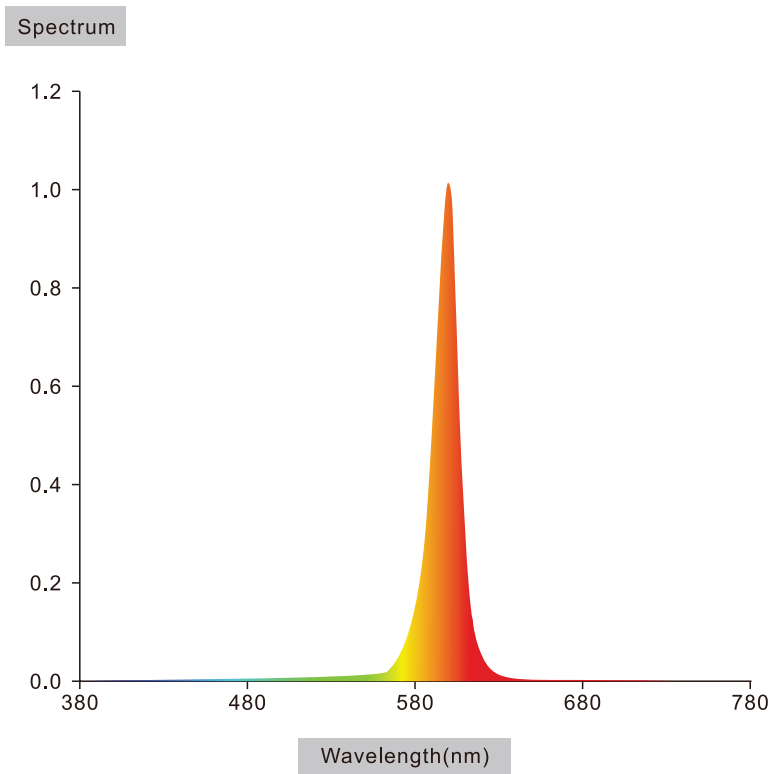
Mounting Type	Tilt	EPA(ft ²)								
		Single	2@90	2@180	3@90	3@120	4@90	2 Side by Side	3 Side by Side	4 Side by Side
										
YTAL 120W	0°	0.23	0.41	0.42	0.60	0.54	0.80	0.46	0.69	0.91
	10°	0.18	0.35	0.35	0.53	0.46	0.69	0.35	0.53	0.71
	20°	0.17	0.34	0.34	0.51	0.44	0.67	0.34	0.52	0.69
	30°	0.21	0.37	0.39	0.54	0.48	0.74	0.42	0.64	0.85
	40°	0.27	0.40	0.45	0.58	0.55	0.80	0.54	0.81	1.08
	45°	0.30	0.42	0.50	0.60	0.58	0.83	0.61	0.91	1.21
	50°	0.45	0.61	0.72	0.87	0.85	1.21	0.89	1.34	1.79
	60°	0.73	0.99	1.19	1.41	1.39	1.96	1.47	2.20	2.94
	70°	0.95	1.38	1.57	1.96	1.90	2.74	1.90	2.86	3.81
YTAL 240W	80°	1.13	1.71	1.89	2.45	2.36	3.40	2.26	3.40	4.53
	90°	1.28	1.99	2.18	2.86	2.77	3.96	2.57	3.85	5.14
	0°	0.35	0.62	0.64	0.91	0.82	1.21	0.69	1.04	1.39
	10°	0.27	0.54	0.53	0.80	0.69	1.06	0.54	0.81	1.08
	20°	0.26	0.52	0.52	0.77	0.67	1.02	0.52	0.79	1.05
	30°	0.32	0.56	0.60	0.83	0.74	1.12	0.64	0.97	1.29
	40°	0.41	0.61	0.68	0.88	0.84	1.21	0.82	1.23	1.64
	45°	0.46	0.63	0.76	0.92	0.89	1.26	0.92	1.38	1.85
	50°	0.68	0.93	1.10	1.32	1.30	1.84	1.36	2.04	2.72
60°	1.12	1.51	1.81	2.15	2.12	2.99	2.24	3.35	4.47	
70°	1.45	2.09	2.38	2.99	2.90	4.16	2.90	4.35	5.79	
80°	1.72	2.60	2.88	3.72	3.60	5.18	3.44	5.17	6.89	
90°	1.95	3.02	3.32	4.35	4.22	6.03	3.91	5.86	7.82	

PHOTOMETRICS

Luminoso LED provides a comprehensive range of optical systems, catering to diverse site lighting needs. Offering exceptional flexibility, these systems enable precise customization of light distribution patterns to perfectly align with specific site requirements.


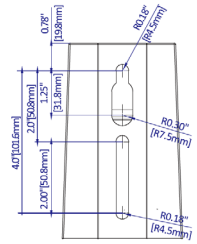

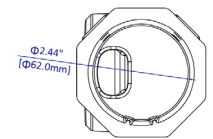

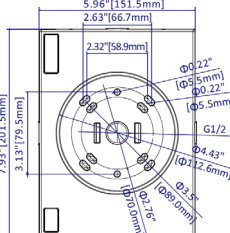

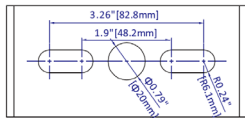

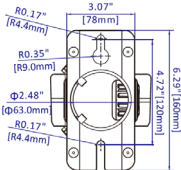

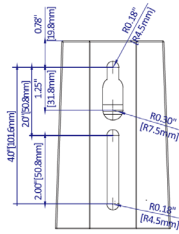


SPECTRAL CHART



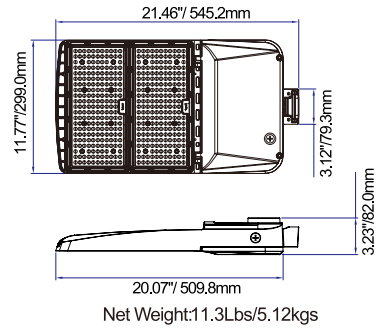
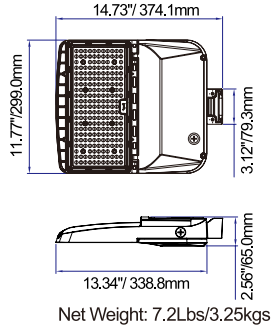
MOUNTS & BRACKETS

Packaged separately

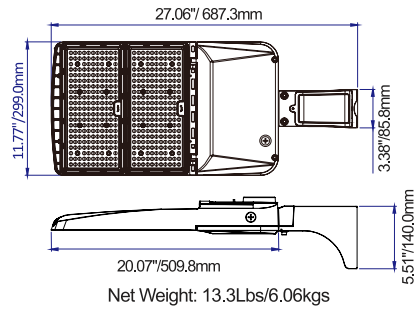
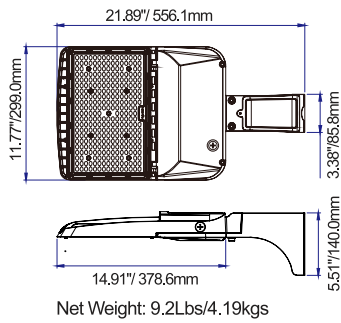
 	<p>SRP Square & Round Pole Mount</p>	 	<p>SF Slipfitter</p>
 	<p>WM Wall Mount</p>	 	<p>TR Trunion Mount</p>
 	<p>UBM Universal Bracket</p>	 	<p>ASRP Adjustable Square & Round Pole Mount</p>

DIMENSIONS & WEIGHT

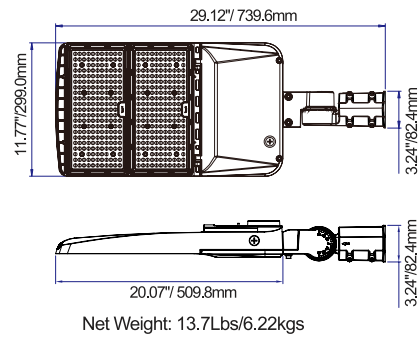
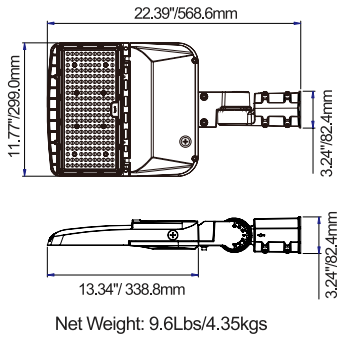
Without Mounting Bracket



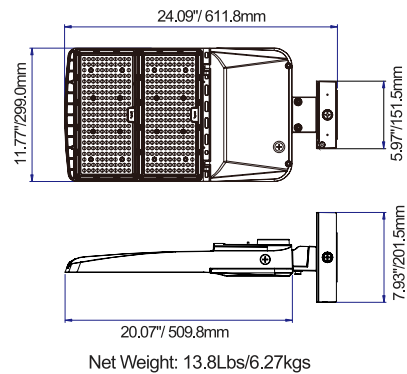
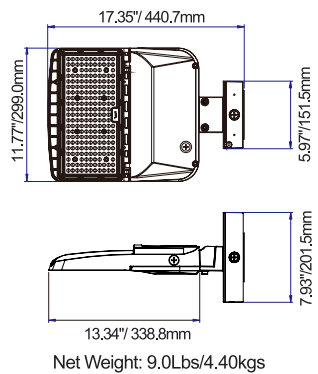
Square & Round Pole Mount



Slipfitter Mount

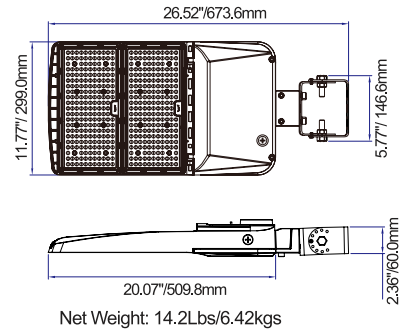
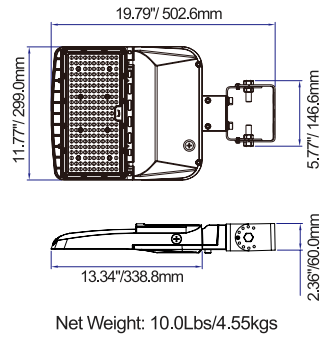


Wall Mount

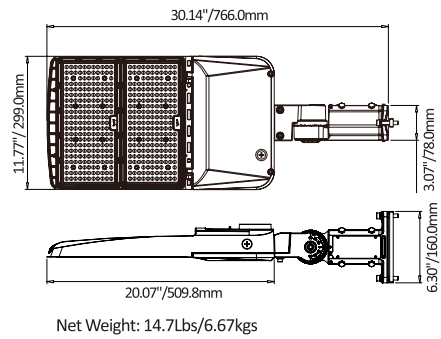
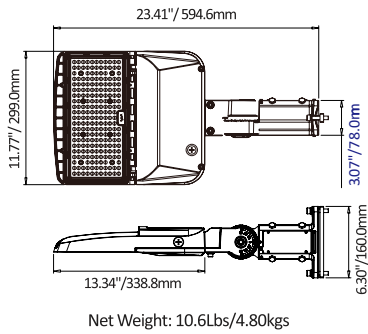


DIMENSIONS & WEIGHT

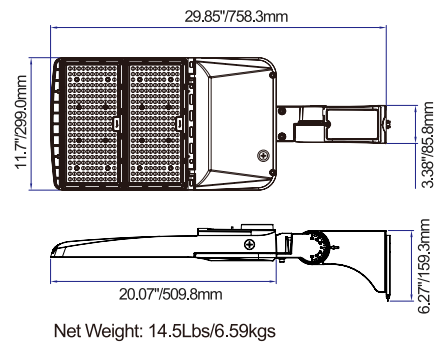
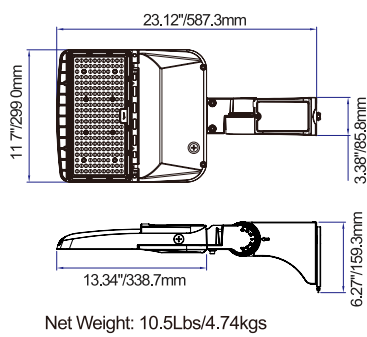
Trunnion Mount



Universal Bracket



Adjustable Square & Round Pole Mount



ACCESSORIES

Control Options (purchase separately)

	<p>SC Shorting Cap</p>		<p>MS Screw-in PIR Sensor, Max.mounting height: 39.4ft</p>
	<p>PC Twist-lock Photocell Kit 120-277VAC</p>		<p>MSB Screw-in PIR Sensor, w/ Bluetooth Max.mounting height: 39.4ft</p>
	<p>PCHV Twist-lock Photocell Kit 277-480VAC</p>		<p>RC Remote Control Sold separately</p>

ACCESSORIES (Glare Control Shield)

Field-installable / Field-Use ONLY (purchase separately)

	<p>HGS-YTAL120W Half Glare Shield</p>	
	<p>HGS-YTAL240W Half Glare Shield</p>	
	<p>FVS-YTAL120W Full Visor Glare Shield</p>	
	<p>FVS-YTAL240W Full Visor Glare Shield</p>	