

### DESCRIPTION

The YTWP Wall Pack Light is purpose-built for Turtle Safe compliance, emitting a precise 590nm amber wavelength that protects marine life while maintaining safe, effective nighttime visibility for pedestrians. Featuring field-selectable wattage for flexible light output, it is designed as a seamless retrofit and matches traditional metal halide wall packs in size—fully covering existing footprints for an easy upgrade. Equipped with a durable polycarbonate lens and a high-efficiency light engine, it delivers reliable, high-quality illumination. Ideal for coastal properties, agricultural facilities, residential exteriors, and other environmentally sensitive applications.

### SPECIFICATIONS

#### Construction:

- Rugged die-cast aluminum construction delivers long-lasting durability and dependable performance in even the most demanding environments.

#### Optics:

- Turtle and wildlife-friendly 590nm amber light
- Polycarbonate is a durable, transparent, and lightweight thermoplastic material.

#### Electrical:

- Standard with 0-10V dimming driver(s) from 1% to 100%.
- 120-277VAC / 50/60Hz.
- THD: ≤20%
- Designed to withstand surges of up to L/N-PE:6kV

#### Controls:

- Equipped with a built-in photocell that can be disabled via cap.

#### Ambient Temperature:

- Ambient operating temperature -40°F to 113°F.

#### Lifespan:

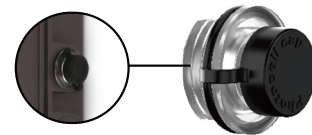
- Estimated 50,000-hour LED lifespan based
- on IES LM-80 results and TM-21 calculations

Project:	Date
Type:	
Model:	



63 Watts

125 Watts



Disable photocell via cap

### ORDER INFORMATION

EXAMPLE: YTWP-WS125-Y-AMB-PC-BZ



Series	Wattage Selectable	Voltage	LED Color	Photocell	Emergency Battery Back-up	Finish
YTWP Amber LED Wall Pack Turtle safe	<b>WS63</b> (63W / 45W / 30W)	<b>Y</b> 120-277V	<b>AMB</b> Amber 590nm	<b>PC</b> Standard w/ Photocell May be disabled via cap*	<b>Blank</b> No EB	<b>BZ</b> Bronze <b>WH</b> White <b>BK**</b> Black
	<b>WS125</b> (125W / 105W / 76W)				<b>EB</b> Emergency Battery Back-up	

Enter configuration: \_\_\_\_\_

\*\* Contact manufacture for lead time

\* Photocell may be capped off to disable.

Dimensions and values shown are nominal. LuminosoLED continually works to improve products and reserves the right to make changes which may alter the performance or appearance of products.

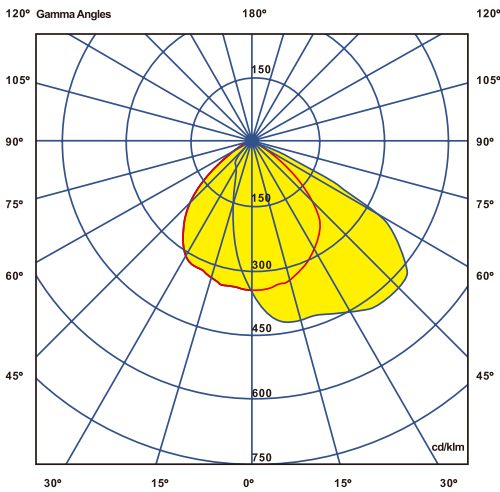
**PERFORMANCE DATA**

Model	Wattage	Lumens	Efficacy	LED Color	Power Factor	Frequency	Voltage
YTWP	63W	1,800	28	Amber 590nm	>0.9	50/60Hz	120-277V
	125W	2,150	17				

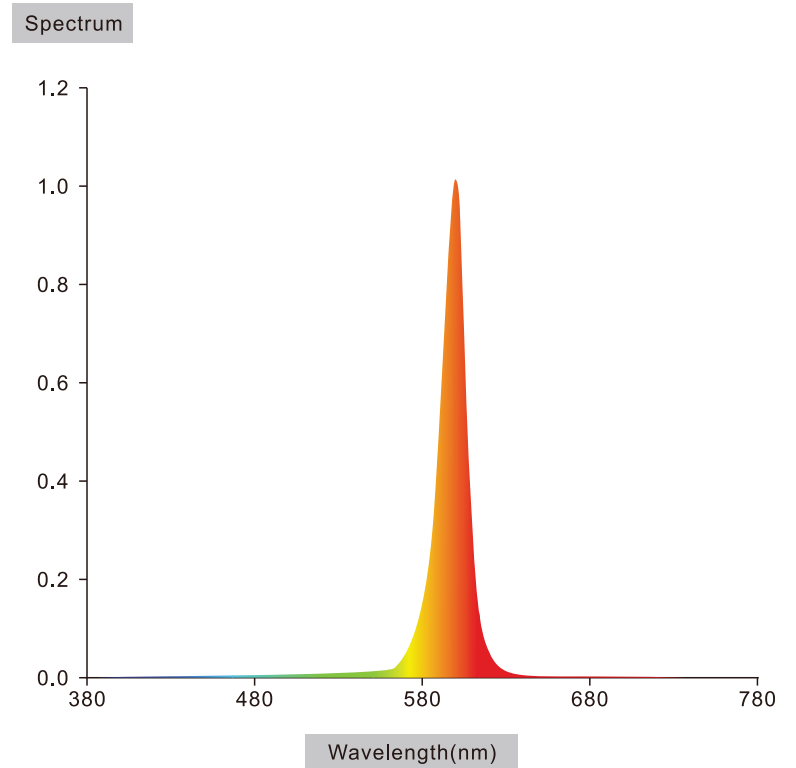
**ELECTRICAL DATA**

Model Series	Wattage(W)	Current (A)				
		Input Voltage (V)				
		120	208	240	277	347
YTWP	63	0.58	0.34	0.29	0.25	0.20
YTWP	125	1.16	0.67	0.58	0.50	0.40

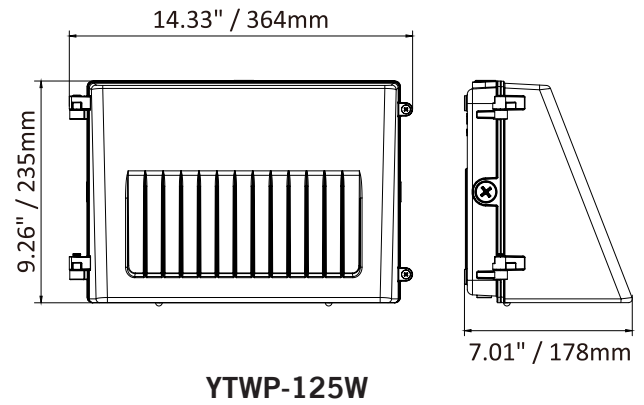
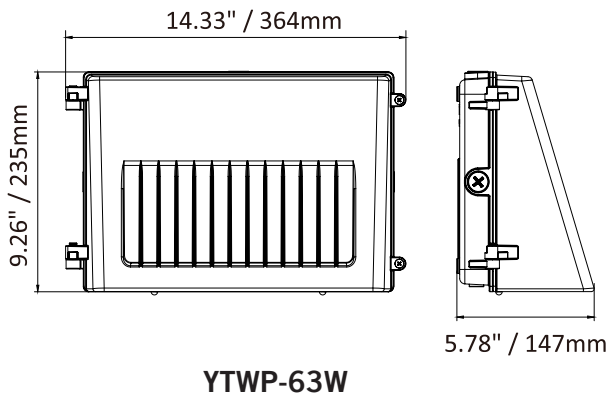
**PHOTOMETRICS**



**SPECTRAL CHART**



**DIMENSIONS**



**ACCESSORIES (Control Standard)**

	<p><b>PC</b> Photocell with daylight cover (Standard) Leave cap on to disable photocell</p>
--	---

**EMERGENCY BATTERY BACK-UP (Optional)**

<p>Emergency test button and indicator</p>	<p><b>EB</b> Factory installed Emergency Battery Back-up 4W/90min 120-277VAC</p>
--	--