

## DESCRIPTION

This LED Wall Pack delivers reliable, energy-efficient outdoor illumination with field-selectable wattage and three selectable CCT options, allowing flexible on-site customization to meet a variety of application requirements while reducing inventory. An integrated photocell provides automatic dusk-to-dawn operation and can be easily activated by removing the photocell cap. An optional emergency battery backup is available to maintain illumination during power outages.

## SPECIFICATIONS

### Construction:

- Rugged die-cast aluminum construction delivers long-lasting durability and dependable performance in even the most demanding environments.

### Optics:

- Polycarbonate durable, thermoplastic lens.
- 110° optics.

### Electrical:

- Standard with 0-10V dimming driver(s) from 1% to 100%.
- 120-277VAC / 50/60Hz.
- THD: ≤20%
- Designed to withstand surges of up to L/N-PE:6kV

### Controls:

- Equipped with a built-in photocell that can be disabled if needed.

### Ambient Temperature:

- Ambient operating temperature -40°F to 113°F.

### Lifespan:

- Estimated 50,000-hour LED lifespan based
- on IES LM-80 results and TM-21 calculations

Project:	Date
Type:	
Model:	



## ORDER INFORMATION

EXAMPLE: MWPK4-WS63-Y-CCTS-PC-BZ-EB



Series	Wattage Selectable	Voltage	CCT Selectable	Photocell	Glare Shield	Emergency Battery Backup	Finish
MWPK4 LED Wall Pack	<b>WS63</b> (63W / 45W / 30W)	<b>Y</b> 120-277V	<b>CCTS</b> (3000K / 4000K / 5000K)	<b>PC</b> Standard w/ Photocell May be disabled if needed*	<b>Blank</b> Standard without Glare Shield	<b>Blank</b> Standard without Emergency Battery Backup	<b>BZ</b> Bronze
	<b>GS</b> Glare Shield				<b>EB*</b> Emergency Battery Back-up	<b>WH</b> White	
	<b>WS108</b> (108W / 90W / 63W)						<b>BK**</b> Black

Enter configuration:

\*\* Contact manufacture for lead time

\* Compatible with 4000K/5000K only. 3000K setting disabled.

Dimensions and values shown are nominal. LuminosoLED continually works to improve products and reserves the right to make changes which may alter the performance or appearance of products.

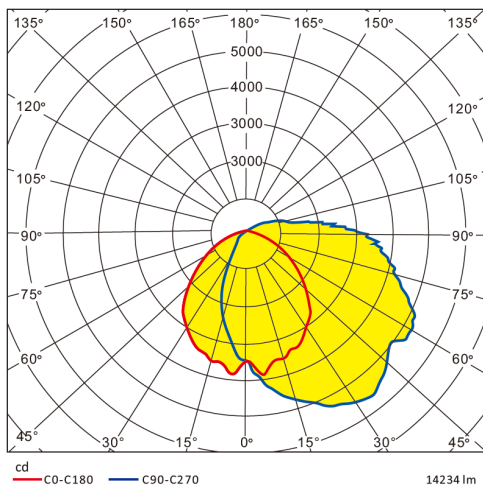
**PERFORMANCE DATA**

Model	Wattage Selectable	CCT Selectable	Lumens	LPW	Power Factor	Frequency	Voltage
MWPK4	63W	3000K	8,190	130	>0.9	50/60Hz	120-277VAC
		4000K	9,000	144			
		5000K	8,500	135			
	45W	3000K	6,000	134			
		4000K	6,600	148			
		5000K	6,300	139			
	30W	3000K	4,100	138			
		4000K	4,600	152			
		5000K	4,300	143			
MWPK4	108W	3000K	14,040	130			
		4000K	15,500	144			
		5000K	14,400	133			
	90W	3000K	12,100	134			
		4000K	13,300	148			
		5000K	12,300	137			
	63W	3000K	8,700	138			
		4000K	9,600	152			
		5000K	8,900	141			

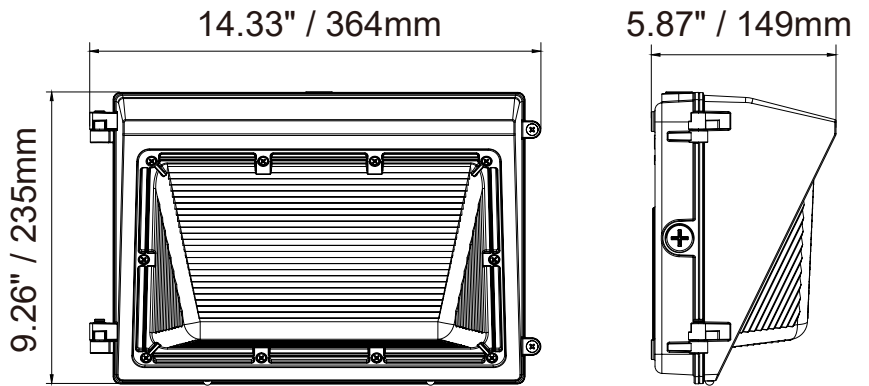
**ELECTRICAL DATA**

Model Series	Wattage(W)	Current (A)				
		Input Voltage (V)				
		120	208	240	277	347
MWPK4-WS63	30	0.28	0.16	0.14	0.12	0.10
	45	0.42	0.24	0.21	0.18	0.14
	63	0.58	0.34	0.29	0.25	0.20
MWPK4-WS108	63	0.58	0.34	0.29	0.25	0.20
	90	0.83	0.48	0.42	0.36	0.29
	108	1.00	0.58	0.50	0.43	0.35

**PHOTOMETRICS**



**DIMENSIONS**



**FIELD-SELECTABLE POWER AND CCT OPTIONS**

**CCT Setting**  
Adjust CCT between 3000/4000/5000K, 5000K default setting

3000K  
4000K  
5000K

**Power Setting**

Power Selection	Default Setting
Adjust power between 63/45/30W	63W
Adjust power between 108/90/63W	108W

1  
2  
3

**CONTROL STANDARD**

**PC**  
Photocell with daylight cover (Standard)  
Leave cap on to disable photocell\*

**ACCESSORIES GLARE SHIELD (Optional)**

**GS**  
External Half Glare Shield

**EMERGENCY BATTERY BACKUP (Optional)**

**EB\***  
Factory installed  
Emergency Battery  
Backup  
8W/90min  
120-277VAC

Emergency test button and indicator

\* Compatible with 4000K/5000K only. 3000K setting disabled.