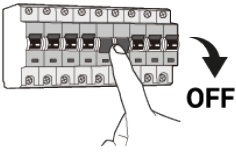
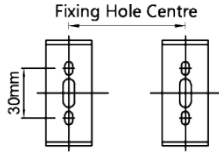


A : Turn off the switch.




B ①

Fixing Hole Centre
1530mm



② Insert 6mm expansion pipe in the wall, fix the mounting bracket by M5 screw.

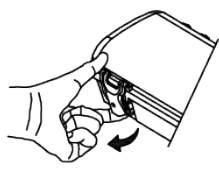
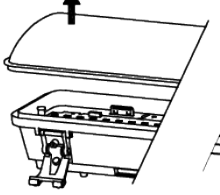
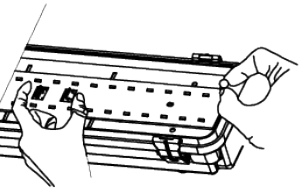


Safety Notice
Professional Installation Required:

1. Electrical installation must be performed exclusively by a registered electrician.
2. Driver Replacement: Before replacing the driver, disconnect the luminaire from the power supply and allow it to cool down completely.
3. Burn & Shock Hazard: Never touch the lamp while the luminaire is switched on.
4. Malfunction Protocol: In the event of a malfunction, immediately disconnect the luminaire from the power supply. Do not attempt to repair the unit yourself; all repairs must be handled by an authorized service agent.

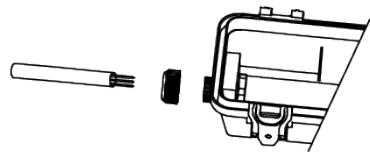
C

- ① First, open the clips as shown in Figure A.
- ② Next, remove the diffuser as shown in Figure B.
- ③ Then, hold the stainless-steel retaining clips and remove the gear tray as shown in Figure C.

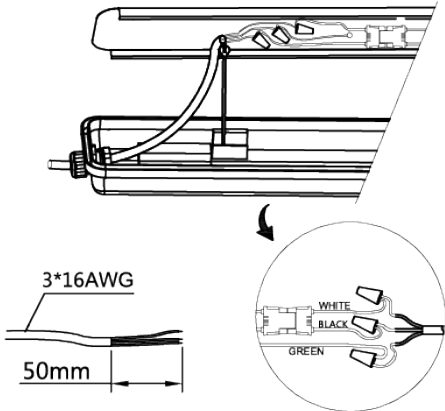




D

- ① Loosen the cable gland nut and route the cable through the cable gland.



- ② Connect the conductors to the terminal block as shown below, then tighten the cable gland securely.



E ① Mount the fixture securely to the surface using appropriate hardware.

