

DESCRIPTION

Our YTC Amber Cylinder Light is engineered for turtle-safe compliance, emitting a 590 nm amber wavelength that meets nighttime lighting requirements while minimizing impact on marine life. The fixture features adjustable light distribution and beam direction for versatile application across various environments. A standard photocell enables automatic operation for improved energy efficiency. Ideal for low-impact exterior lighting in coastal buildings, agricultural facilities, residential exteriors, and other environmentally sensitive areas.

Project:	Date
Type:	
Model:	

SPECIFICATIONS

Construction:

- Heavy-gauge aluminum housing delivers long-lasting durability and dependable performance in even the most demanding environments.

Optics:

- Turtle and wildlife-friendly 590nm amber light
- Polycarbonate is a durable, transparent, and lightweight thermoplastic material.

Electrical:

- 120-277VAC / 50/60Hz.
- THD: ≤20%

Controls:

- Photocell included

Ambient Temperature:

- Ambient operating temperature -40°F to 113°F.

Lifespan:

- Estimated 50,000-hour LED lifespan based
- on IES LM-80 results and TM-21 calculations



ORDER INFORMATION

EXAMPLE: YTC-38W-Y-AMB-PC-BZ



Series	Wattage	Voltage	LED Color	Emergency Battery Back-up	Finish
YTC Amber LED Wall Pack Turtle safe	20W 20 Watts	Y 120-277V	AMB Amber 590nm	Blank No EB	BZ Bronze
	38W 38 Watts			EB Emergency Battery Back-up	WH White
					BK** Black

Enter configuration: _____

Dimensions and values shown are nominal. LuminosoLED continually works to improve products and reserves the right to make changes which may alter the performance or appearance of products.

PERFORMANCE DATA

Model	Wattage	Lumens	Efficacy	LED Color	Power Factor	Frequency	Voltage
YTC	20W	750	38	Amber 590nm	>0.9	50/60Hz	120-277V
	38W	1,400	37				

ELECTRICAL DATA

Model Series	Wattage(W)	Current (A)				
		Input Voltage (V)				
		120	208	240	277	347
YTC-20W	20	0.19	0.11	0.09	0.08	0.06
YTC-38W	38	0.35	0.21	0.18	0.15	0.12

BEAM DISTRIBUTION CONFIGURATIONS

Distribution Setting

Switch	Distribution Selection	Default Setting
1	Full & Narrow Light	Full & Narrow Light
2	Up & Narrow + Down & Wide Light	
3	Up & Wide + Down & Narrow Light	
4	Full & Wide Light	

Direction Setting

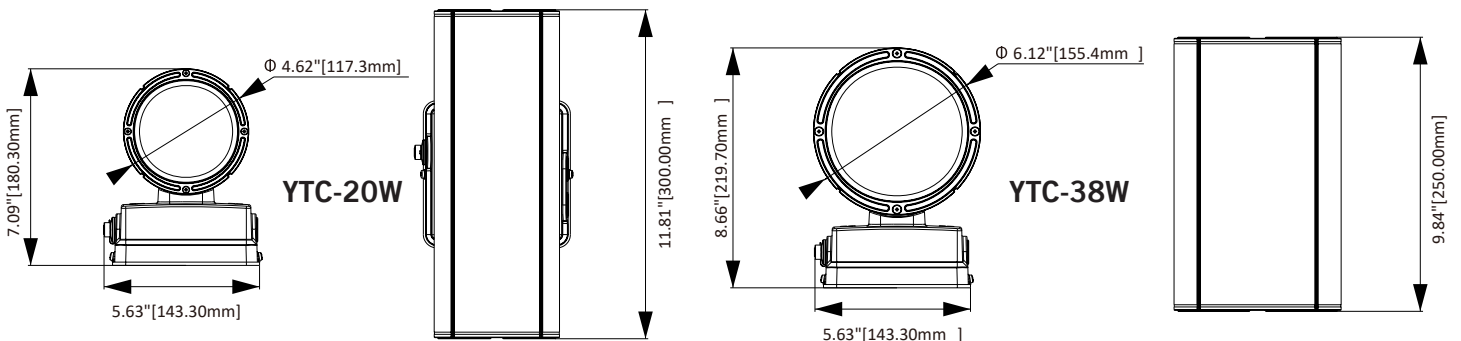
Up
Full
Down

Adjust direction among Up/Full/Down, Full light default setting
Note: Power is reduced by 50% in single-sided mode.

BEAM SELECTABLE
UP-DOWN LIGHTING SELECTABLE

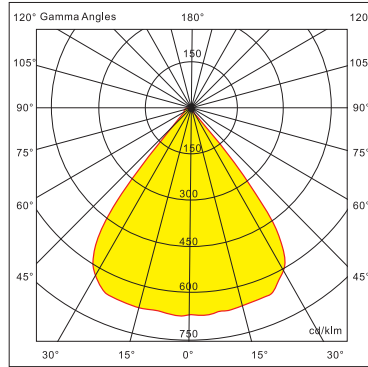
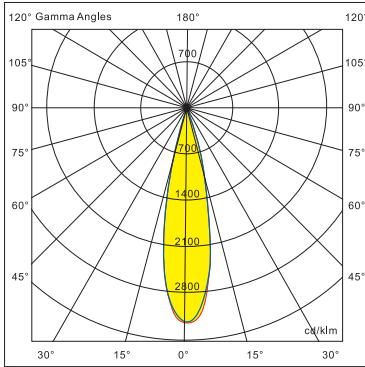
1 FULL & NARROW LIGHT
2 UP & NARROW + DOWN & WIDE
3 UP & WIDE + DOWN & NARROW
4 FULL & WIDE LIGHT
5 UP LIGHT ONLY
6 FULL UP & DOWN
7 DOWN LIGHT ONLY

DIMENSIONS

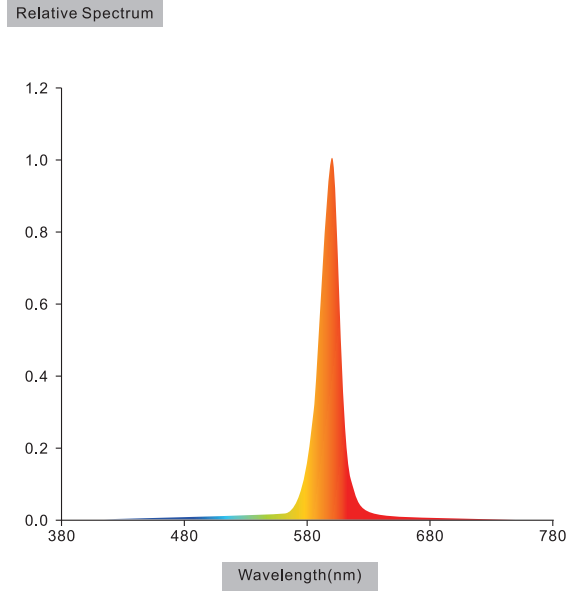


PHOTOMETRICS

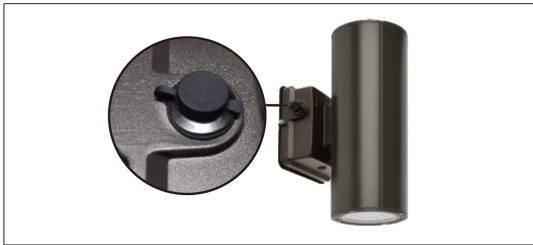
Note: Narrow and Wide distribution can be selected via switch.



SPECTRAL CHART

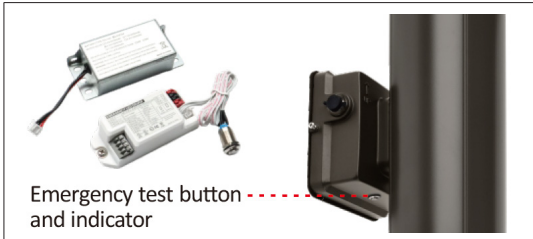


ACCESSORIES (Photocell Standard)



PC
Photocell with daylight cover
(Standard)

EMERGENCY BATTERY BACK-UP (Optional)



EB
Factory installed
Emergency Battery
Back-up
4W/90min
120-277VAC