

Project:	Date
Type:	
Model:	

DL-4-SSE-CCTS (120V)

4 INCH ROUND TRIM SMOOTH / CCT SELECTABLE

DESCRIPTION

Experience versatility with our 4-inch LED square trims featuring a selectable color temperature switch, providing seamless adaptation to diverse applications. The retrofit design, complemented by a smooth reflector, ensures effortless installation, making it compatible with both our LED dedicated housings and most standard 4-inch housings. These trims are designed for Wet locations, guaranteeing durability and optimal functionality in a variety of environments. Illuminate your space with confidence and style.

PRODUCT SPECIFICATIONS

- White painted Die-cast body is appropriate for heat dissipation.
- 3 clip retention on unit for easy installation.
- One light J-Box.
- E26 medium screw-base Edison adapter provides easy installation into incandescent housings.

LED LIGHT ENGINE

- Dimming down to 10% with CL / TRIAC dimmer (120V)
- CCT SELECTABLE: 2700K, 3000K, 3500K, 4000K, and 5000K
- CRI 90
- Long life LED chips guaranteed up to 50,000hours.

LISTINGS

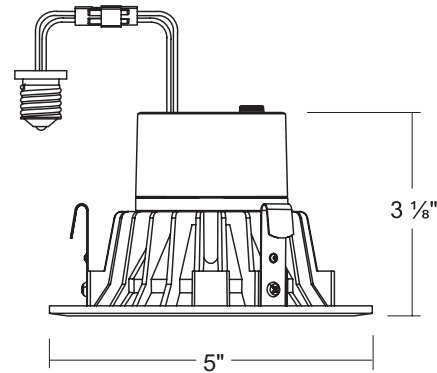
- UL Listed
- Wet location rated
- RoHS compliant
- Tested in accordance with IESNA LM79 & LM80

ORDER INFORMATION

EXAMPLE: DL-4-SSE-23-11-CCTS-Z-W



DIMENSIONS



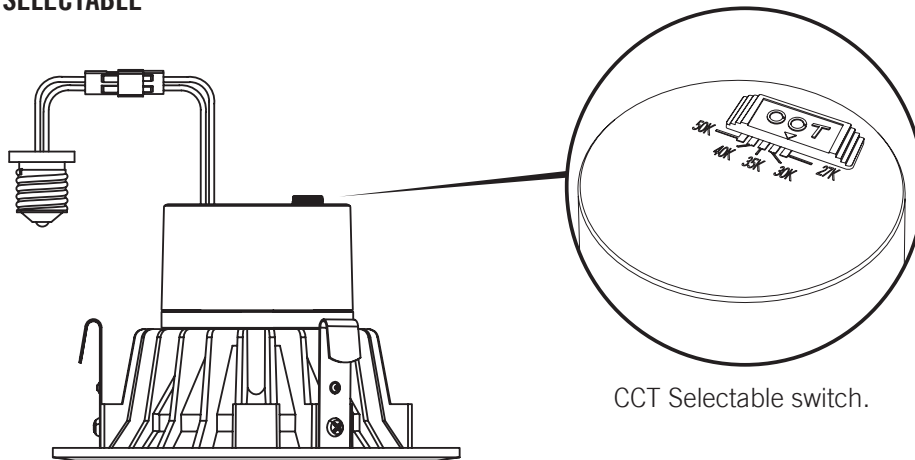
Series	Reflector	Mount	Wattage	CCT Selectable	Voltage	Finish
DL 4 4 inch Trim	SSE Square Smooth Reflector	23 Quick Connect	11 11 Watts	CCTS Selectable Color Temperature (2700K / 3000K / 3500K / 4000K / 5000K)	Z Z = 120V	W White

Enter configuration:

PERFORMANCE DATA

Watts	Voltage	CRI	Lumens				
			730	740	750	770	780
11	120V	90	27K	30K	35K	40K	50K

COLOR TEMPERATURE SELECTABLE



TRIAC Dimmer Compatibility (120V)

List of Triac Dimmer Switch		
Mfr	Model #	Dimming Rate
Leviton	1A1505 / 1C1605	10 - 100%
Leviton	6631 / 6633	10 - 100%
Lutron	CT-603PG / CT-600PR	10 - 100%
Lutron	DV-600PR / DV603PG	10 - 100%
Lutron	DVW-603PGH / DVCL-153P	10 - 100%
Lutron	MACL-153M / TGCL-153P	10 - 100%
Lutron	S-600PR / S-2-LH	10 - 100%