

Project		Date
Type		
Model		

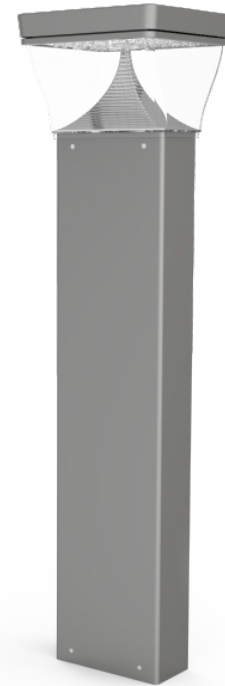
## MWT Series LED Bollard

### Description

The MWT bollard features a heavy-cast aluminum housing designed with modern aesthetics. The architectural luminaire provides brilliant illumination to walkways and other outdoor spaces, improving the visibility, safety, and overall look of any outdoor area. Powered by energy-saving LED technology, this high-powered outdoor luminaire has optics to restrict light trespass, glare and light pollution for neighborhood-friendly outdoor lighting.

### Specification Features

- Rectangle Bollard 20W/ 40W
- Heavy cast aluminum housing / IP65
- SMD3030
- IP66 UL listed Driver
- Beam angle 360°
- CCT: 3000K/4000K/5000K
- CRI≥70
- Lifespan 50,000 Hours
- EPA: 0.05
- Operating Temperature: -31°F to 113°F



### ORDER INFORMATION

EXAMPLE: MWT-36-20W-Y-40K-T5-29-BK



Series	Size	Wattage	Voltage	CCT	Optics	Mount	Finish
MWT	18in	20W	Y = 120-277V	30K = 3000K	3M	29 = Anchor Bolts	BK=Black
	24in	40W		40K = 4000K	5M		BZ=Bronze
	36in			50K = 5000K			SV=Silver
	42in						WH=White

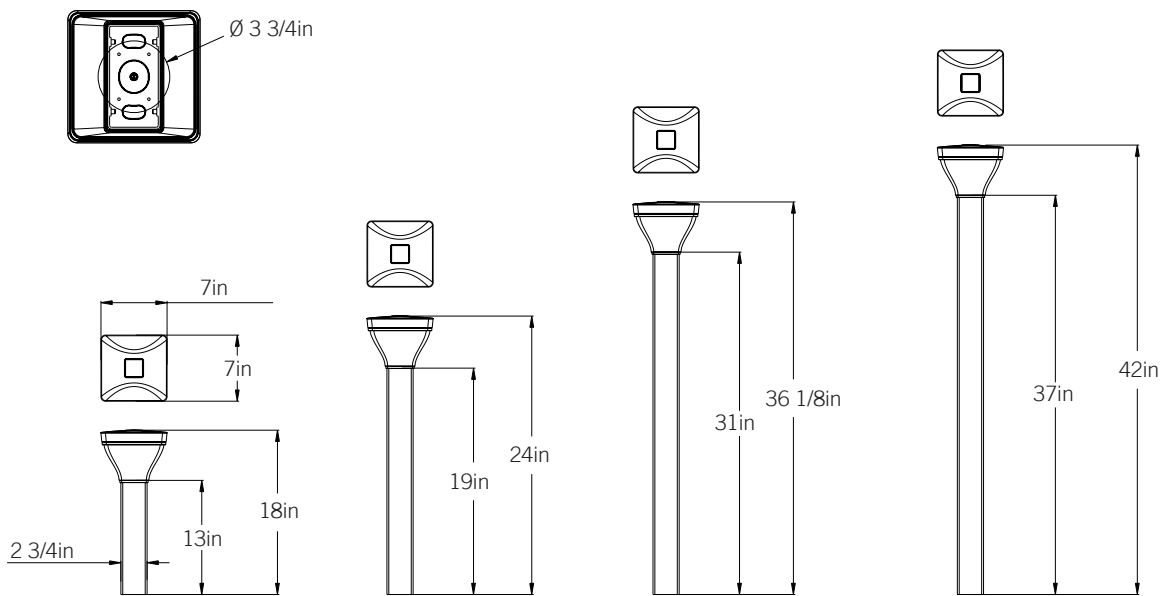
Enter configuration:

\*\* Special Order

PERFORMANCE DATA

WATTS	VOLTAGE	CRI	LUMENS	EFFICACY
20W	120-277VAC	70	1,800	90lm/W
40W	120-277VAC	70	3,600	90lm/W

Dimensions



Photometric Data

