

Project: _____

Type: _____

Model: _____

Features:

- HOUSING MATERIALS** | Coated aluminum, anodized powder coating.
T=60-80 um. Adhesion of ISO class, 1.ASTM class 4B
- GLASS LENS** | Tempered step glass. T=4mm
- DIMMABLE** | Yes*
- CABLE GLAND** | IP68 / PG-9 PCV
- GASKET** | Tooling shaped seal
- PCB** | Excellent heat conductivity aluminum.
- OPERATING TEMPERATURE** | -4°F to 113°F
- POWER CABLE** | H05RN-F 2X1.0mm² L=2.0m (low voltage)
- FIXTURE IP/ IK Rating** | IP66 Rated / IK08



RGF

FINISH OPTIONS

 Graphite
RAL7037

 Silver
RAL9006

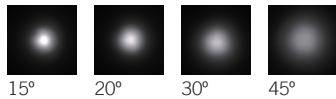
 Bronze
RAL8019

 White
RAL9003

 Black
RAL9005

OPTICS


RGF



15°

20°

30°

45°

Example: RGF-19L50K-D20-X-GR


Series	Lumens (CCT)			Beam Angle				Voltage	Finish
	17L20K 17L (2000K) 1,790 Lumens	18L30K 18L (3000K) 1,850 Lumens	19L50K 19L (5000K) 1,951 Lumens	D15 15°	D20 20°	D30 30°	D45 45°		
RGF 25 Watts								X X = 24 Volts Requires remote 24V transformer. For dimming, refer to specs of transformer you are using.*	BK Black WH White GR Graphite SV Silver BZ Bronze

Enter configuration: _____

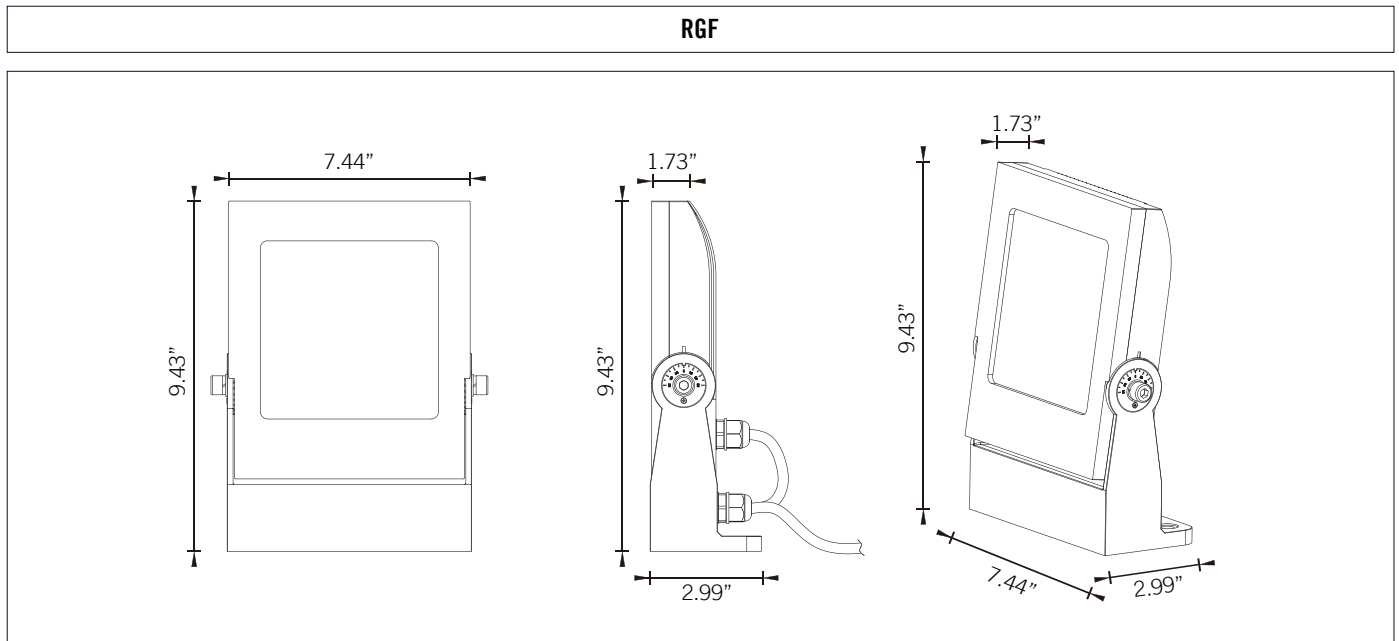
** Special Order

Dimensions and values shown are nominal. LuminosoLED continually works to improve products and reserves the right to make changes which may alter the performance or appearance of products.

PERFORMANCE DATA

Series	RGF
Power	25W
Lumens	1,790 (20K) 1,850 (30K) 1,951 (50K)
IP Rating	IP66
Operating Temp.	-4°F to 104°F
Input	24V

DIMENSIONS



PHOTOMETRIC CURVES

