

Project: \_\_\_\_\_

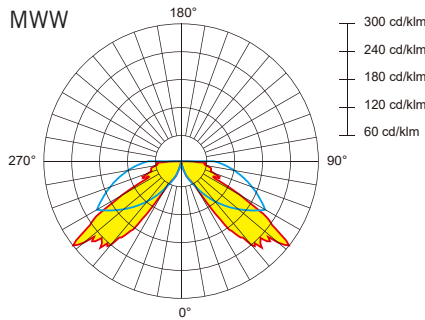
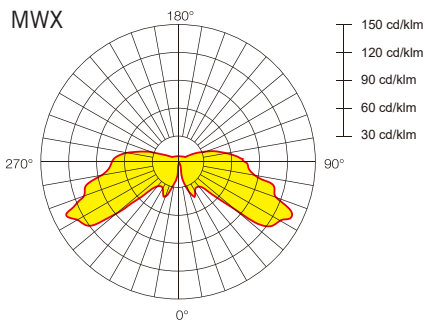
Type: \_\_\_\_\_

Model: \_\_\_\_\_

### Specifications:

- Die cast aluminum housing.
- Anodized Polypropylene plastic reflector and optics distribution lens.
- Surface anti-ageing electrostatic spray processing, resistance to corrosion.
- Available finishes, Black, White, and Silver
- Lumens from 1,650 to 1,850 Lm
- Offered Standard in 3000K, 4000K, and 5000K
- IK08 rated.

### Photometric:



Example: MWX-39-25W-Y-40K-T5-29-SV



Series	Height	Wattage	Voltage	CCT	Beam Type	Mount	Finish
MWW Bollard	31 31.5 inch height	25W 25 Watts	Y Y = 120-277V	30K 3000K	T5 T5M	29 Achor Bolt	BK Black
	39 39.4 inch height			40K 4000K			WH White
MWX Bollard w/ Louver				50K 5000K			SV Silver

Dimensions and values shown are nominal. LuminosoLED continually works to improve products and reserves the right to make changes which may alter the performance or appearance of products.

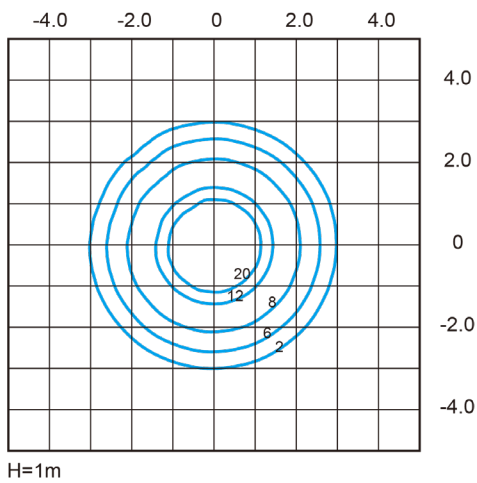
Enter configuration: \_\_\_\_\_

\*\* Special Order

## PERFORMANCE DATA

Series	MWX	MWW
Power	25W	25W
Lumens	1,850	1,650
IP Rating	IP65	IP65
Operating Temp.	-4°F to 113°F	-4°F to 113°F
Input	120-277V	120-277V

## 360° DISTRIBUTION



## DIMENSIONS

