

Project: _____
 Type: _____
 Model: _____

DESCRIPTION

The 6-inch General Purpose LED Trim featuring a Push-In Quick Connector Base is an ideal choice for various lighting needs, including retrofitting existing setups, new construction projects, and remodeling applications. It is specifically designed to accommodate low to medium height ceilings.

PRODUCT SPECIFICATIONS

- White painted diecast aluminum body.
- Oversized trim ring constructed from one-piece stamped aluminum body
- Torsion spring mounting style are designed to accommodate most 5" and 6" standard and shallow housings.
- E26 medium screw-base Edison adaptor provides easy installation into Incandescent housings.
- (GU10 and GU24 socket adaptor available - sold separately)

LED LIGHT ENGINE

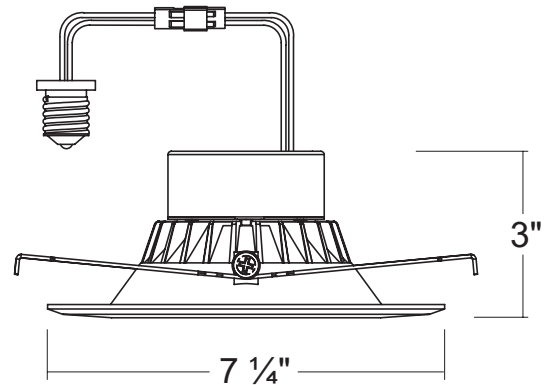
- Dimming down to 10% with CL (TRIAC based) dimmer.
- CCT: 3000K and 3500K
- CRI 90
- Long life LED chips guaranteed up to 50,000hours.

LISTINGS

- UL Listed
- Wet location rated
- RoHS compliant
- Tested in accordance with IESNA LM79 & LM80

ORDER INFORMATION

EXAMPLE: DL6-RS-23-16-35K-Y-W


DIMENSIONS


| Series | Reflector | Mount | Wattage | CCT | Voltage | Finish |
|--------|-----------------|--------------------|----------|----------------------------|--------------|-----------|
| DL 6 | RS Round Smooth | 23 = Quick Connect | 16 = 16W | 30K = 3000K 35K = 3500K | Y = 120-277V | W = White |
| DL 6 | RB Round Baffle | 23 = Quick Connect | 16 = 16W | 30K = 3000K | Y = 120-277V | W = White |

Enter configuration: _____

PERFORMANCE DATA

| Watts | Voltage | CRI | Lumens | |
|-------|----------|-----|--------|-------|
| 16 | 120-277V | 90 | 1,050 | 1,100 |
| | | | 30K | 35K |



TRIAC Dimmer Compatibility (120V ONLY)

| List of Triac Dimmer Switch | | |
|-----------------------------|------------------------|--------------|
| Mfr | Model # | Dimming Rate |
| Leviton | 1A1505 / 1C1605 | 10 - 100% |
| Leviton | 6631 / 6633 | 10 - 100% |
| Lutron | CT-603PG / CT-600PR | 10 - 100% |
| Lutron | DV-600PR / DV603PG | 10 - 100% |
| Lutron | DVW-603PGH / DVCL-153P | 10 - 100% |
| Lutron | MACL-153M / TGCL-153P | 10 - 100% |
| Lutron | S-600PR / S-2-LH | 10 - 100% |