

Project		Date
Type		
Model		

SBS 30W LED Ceiling Mount

Turtle Friendly

Features & Benefits

01. HOUSING

- Die cast aluminum housing.
- Modular design allows for easy installation, replacement and maintenance.
- IK08 rated.

02. FINISH

- Corrosion resistant polyester powder painted 100µm thickness.
- Meets a 1000-hour salt spray certification per ASTM B117/ ISO 9227:2012.
- Standard colors: Silver, Black, Bronze and White.
- Customized colors are available.

03. LED / OPTICAL ASSEMBLY / FWC

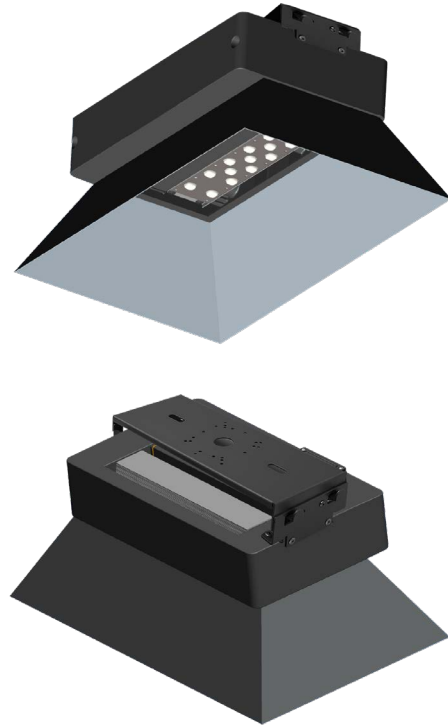
- Each PCB are mounted with a TVS (Transient Voltage Suppressors) to protect the LEDs from voltage transients induced by lightning and other transient voltage events.
- High-uniformity LED optics are constructed of durable optical polycarbonate that is impact and UV resistant.
- The metal plate provides double protection for the LED light engine and prolongs LED optics life.
- Over 20 optical lenses are available for virtually any application.
- Each LED module are 100% tested prior to assembly which is IP67 rated.
- FWC Certification, AMBER light Turtle friendly available, 30W only.

04. MOUNTING

- Ceiling mount

05. ELECTRICAL / KEY COMPONENTS / CONTROLS

- 120-277VAC and 347-480VAC available.
- Surge protection to 20kV/10kA per ANSI/IEEE C62.41.2-2002 available.
- High quality LEDs, driver and components, e.g. MOLEX, WAGO connectors.
- Multiple lighting control options are available, e.g. DALI, 1-10V.



ORDER INFORMATION

EXAMPLE: SBS-14-30W-AM-5M1-Y-TS-BK

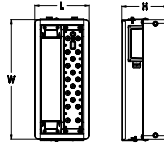


Series	Mount	Wattage	CCT	Optics	Voltage	Shielding	Finish
SBS	14=Direct Mount	30W	AM = Amber	2M1 T5U 3M1 T5V 3L1 T5W 4M1 T5S 4S1 T5X 5M1 T5D 5L1	Y = 120-277V HV = 347-480V**	TS = Turtle Shield	SV = Silver BZ = Bronze** BK = Black** WH = White**

Enter configuration:

** Special Order

SBS-30W Turtle Friendly Dimensions / Performance



Model	SBS-30
LED Modules	1
LEDs	18
EPA(sq.ft.)	0.324

Net Weight	3.86kg(8.51lbs)
Gross Weight	4.51kg(9.94lbs)
Product Dimensions	5.91"x12.99"x5.04"
Carton Dimensions	12.01"x16.34"x6.3"

Model No.	System Power	Voltage	Drive Current	Luminous Flux		Efficacy (lm/W)
				AMBER		
SBS-30	31W	120-277VAC	530mA	2,728lm		88

