

DESCRIPTION

Introducing the new PTV2 LED Post Top, now available with wattage and CCT selectability. Designed for versatility, the PTV2 allows users to adjust both power output and color temperature, making it suitable for a wide range of outdoor lighting applications. This post top delivers efficient, customizable illumination with multiple wattage options and tunable color temperatures to adapt to different environments and lighting needs. Ideal for parks, pathways, and public spaces, the PTV2 combines flexibility with energy-saving technology, ensuring high performance and cost efficiency in every installation.

FEATURES

- Die-cast aluminum housing featuring intergrated heat sink design for efficient thermal management.
- Voltage: 120-277VAC
- 0-10V, dimming to 10%.
- Wattage & CCT Selectable allows for further customization based on your requirements.
- CCTS: 3000K / 4000K / 5000K
- 120° beam
- 150Lm/W
- Operating Temp: -40°F to 120°F
- ETL listed for IP65 Rated

Project:	Date
Type:	
Model:	



Photocell Optional

ORDER INFORMATION

EXAMPLE: PTV2-WS100-Y-CCTS-BK



Series	Wattage Selectable	Voltage	CCTS	Finish	Photocell
PTV2 LED Post Top	WS80 (80W / 65W / 50W)	Y 120-277V	CCTS 3000K / 4000K / 5000K (Color Temp. Selectable)	BK Black	Blank Blank = None
	WS100 (100W / 80W / 60W)			BZ Bronze	PC Photocell
	WS150 (150W / 120W / 100W)			WH White	
	WS200 (200W / 160W / 120W)				

Enter configuration: _____

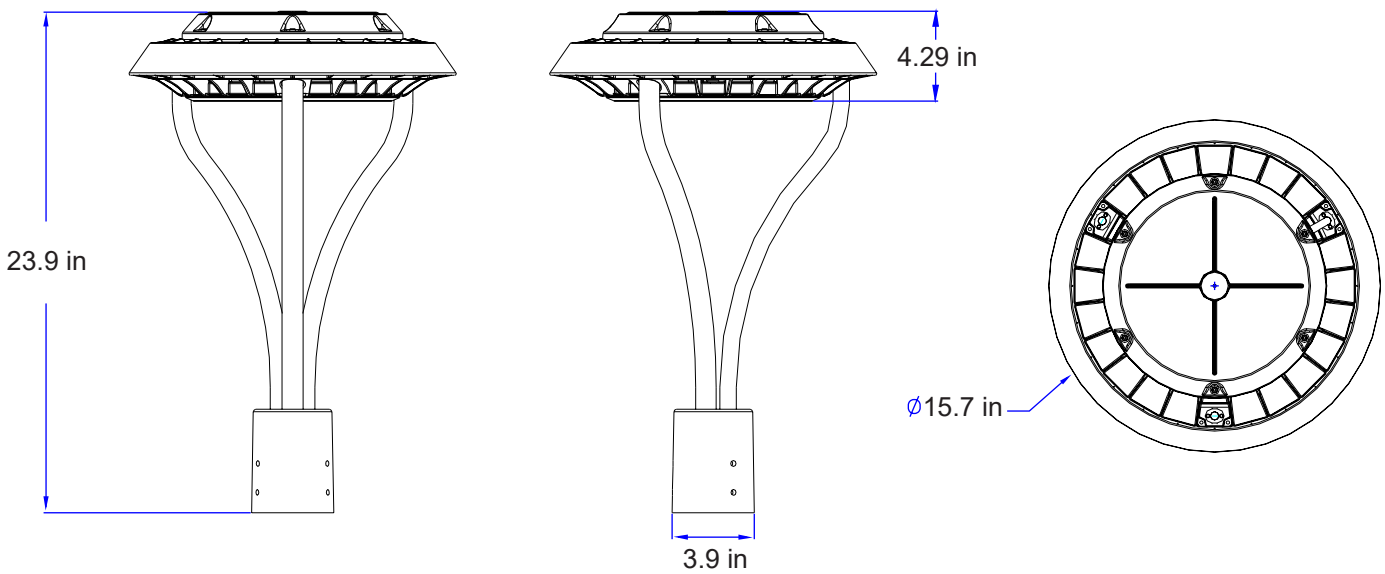
** 6 - 8 week lead time

Dimensions and values shown are nominal. LuminosoLED continually works to improve products and reserves the right to make changes which may alter the performance or appearance of products.

PERFORMANCE DATA (Wattage & CCT Selectable)

MODEL	WATTS	VOLTAGE	CRI	LUMENS	LPW	BEAM	PF	EPA
PTV2	80W	120-277VAC	80	12,000	150 Lm/W	120°	>0.95	1.2
	100W	120-277VAC	80	15,000				
	150W	120-277VAC	80	22,500				
	200W	120-277VAC	80	30,000				

DIMENSIONS



PHOTOMETRICS

