

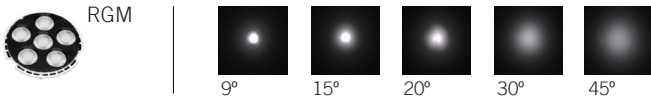
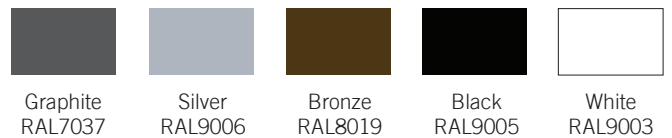
Project: _____

Type: _____

Model: _____

Features:

- HOUSING MATERIALS** | Coated aluminum, anodized powder coating.
T=60-80 um. Adhesion of ISO class, 1.ASTM class 4B
- GLASS LENS** | Tempered step glass. T=4mm
- DIMMABLE** | Not dimmable
- CABLE GLAND** | IP68
- GASKET** | Tooling shaped seal
- PCB** | Excellent heat conductivity aluminum.
- SPIKE** | ABS
- OPERATING TEMPERATURE** | -4°F to 113°F
- POWER CABLE** | H05RN-F 2X1.0mm² L=2.0m (low voltage)
- FIXTURE IP/ IK Rating** | IP66 Rated / IK02


OPTICS

FINISH OPTIONS

Example: RGM-7L30K-D30-X-BK


Series	Lumens (CCT)			Beam Angle					Voltage	Accessory	Finish
RGM 13.2 Watts	7L20K 7L (2000K) 710 Lumens	7L30K 7L (3000K) 775 Lumens	8L40K 8L (4000K) 800 Lumens	D9 9°	D15 15°	D20 20°	D30 30°	D45 45°	X X = 24 Volts Requires remote 24V transformer.	Leave Blank Standard SHR-3001 Optional Shroud	BK Black WH White GR Graphite SV Silver BZ Bronze

Enter configuration: _____

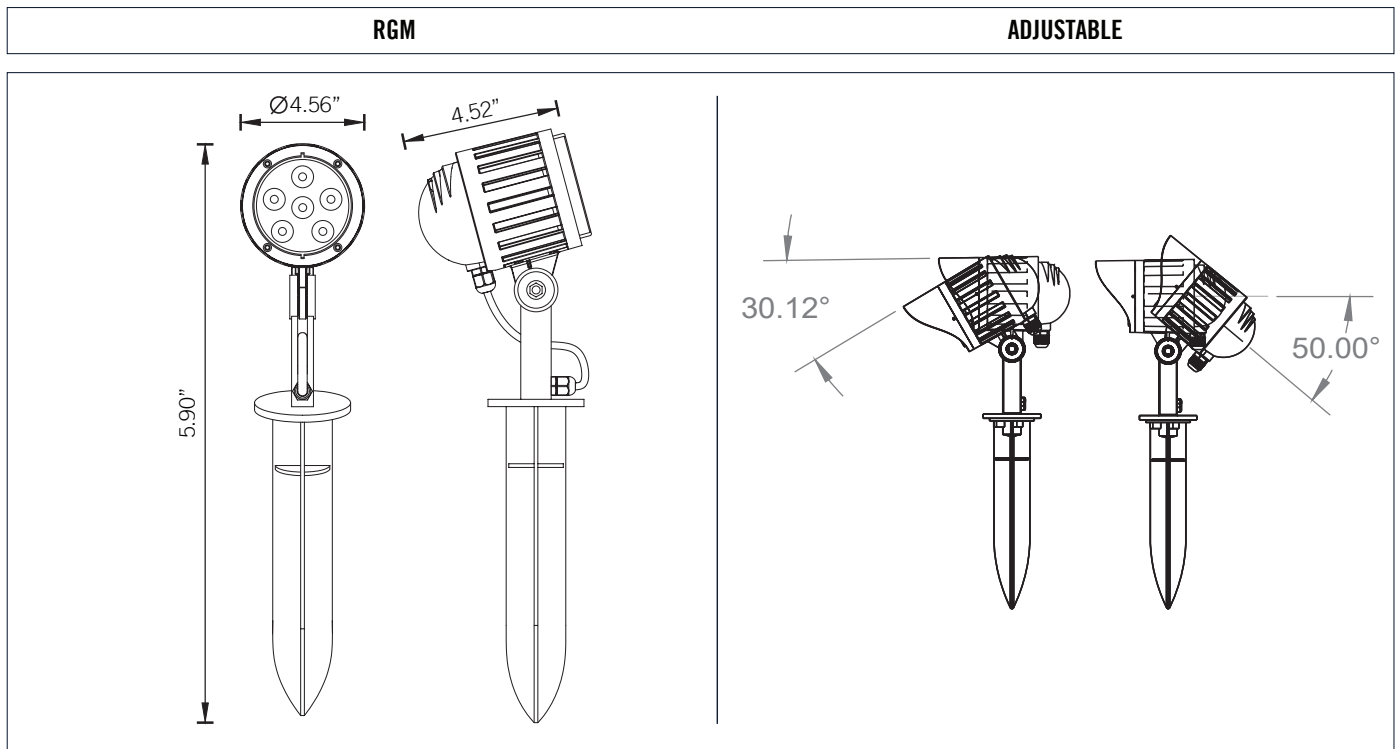
** Special Order

Dimensions and values shown are nominal. LuminosoLED continually works to improve products and reserves the right to make changes which may alter the performance or appearance of products.

PERFORMANCE DATA

Series	RGM
Power	13.2W
Lumens	710 (20K) 775 (30K) 800 (40K)
IP Rating	IP66
Operating Temp.	-4°F to 104°F
Input	24V

DIMENSIONS



PHOTOMETRIC CURVES

