

Project: _____
 Type: _____
 Model: _____

DESCRIPTION

Our 4 inch retrofit design makes it easy for mounting in our LED dedicated housings or most standard 4 inch housings. Available in Baffle or Smooth reflector, Rated for Wet locations. Retrofit Kit comes with an E26 medium screw-base Edison adaptor for easy installation into standard incandescent housings.

PRODUCT SPECIFICATIONS

- White painted diecast aluminum body.
- Trim constructed from one-piece stamped aluminum.
- 3 Tension clips per-installedon unit for easy installation.
- E26 medium screw-base Edison adaptor provides easy installation into Incandescent housings.
- (GU10 and GU24 socket adaptor available - sold separately)

LED LIGHT ENGINE

- Dimming down to 10% with CL (TRIAC based) dimmer.
- CCT available 2700K and 4000K
- Operating Temperature: -22°F to 104°F
- Long life LED chips guaranteed up to 50,000hours.

LISTINGS

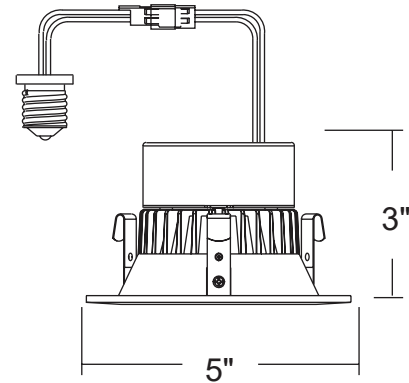
- UL Listed
- Wet location rated
- RoHS compliant
- Tested in accordance with IESNA LM79 & LM80

ORDER INFORMATION

EXAMPLE: DL-4-RB-23-11-40K-Y-W



DIMENSIONS



Series	Reflector	Mount	Wattage	CCT	Voltage	Finish
DL 4	RB = Round Baffle	23 = Quick Connect	11 = 11W	27K = 2700K 40K = 4000K	Y = 120-277V	W = White

Enter configuration: _____

PERFORMANCE DATA

Watts	Voltage	CRI	Lumens	
11	120-277V	90	620	750
			2700K	4000K

Dimmer Compatibility (TRIAC)

List of Triac Dimmer Switch		
Mfr	Model #	Dimming Rate
Leviton	1A1505 / 1C1605	10 - 100%
Leviton	6631 / 6633	10 - 100%
Lutron	CT-603PG / CT-600PR	10 - 100%
Lutron	DV-600PR / DV603PG	10 - 100%
Lutron	DVW-603PGH / DVCL-153P	10 - 100%
Lutron	MACL-153M / TGCL-153P	10 - 100%
Lutron	S-600PR / S-2-LH	10 - 100%