

RIBB

Round Adjustable Inground LED Flood Light

Project: _____
 Type: _____
 Model: _____

Features:

HOUSING MATERIALS	Die-casting dark gray powder coated aluminum T=60-80 um./Adhesion of ISO class, 1.ATM class 4B
FRONT COVER	Chrome plated stainless steel SUS 316#
GLASS LENS	Tempered step glass. T=6mm
DIMMABLE	Yes*
CONCRETE POUR KIT / SLEEVE	ABS
WATER-TIGHT CABLE GLAND	IP68
REFLECTOR	Optical reflector 10° / 15° / 20° / 30°
LED	OSRAM COB
OPERATING TEMPERATURE	-4°F to 104°F
POWER CABLE	H05RN-F 2X1.0mm ² L=0.5m (low voltage)
FIXTURE IP/ IK Rating	IP67 Rated / IK09



RIBB

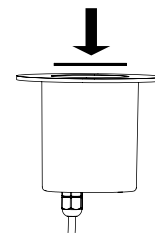
OPTIONAL LOUVER



LH016
Optional Accessory
Hexcell Louver

GLASS PRESSURE CAPACITY

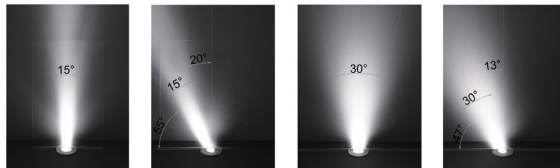
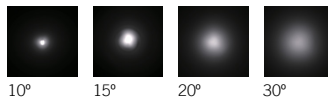
1,226 kgs (2,703 lb)



OPTICS



RIBB



Example: RIBB-2L20K-D20-X-SS



Series	Lumens (CCT)			Beam Angle				Accessory	Voltage	Finish
	2L20K 2L (2000K) 294 Lumens	3L30K 3L (3000K) 300 Lumens	3L50K 3L (5000K) 320 Lumens	D10 10°	D15 15°	D20 20°	D30 30°			
RIBB Round Inground 3 Watts								Leave Blank LH016 Hexcell Louver Accessory	X 24 Volts Requires remote 24V transformer. For dimming, refer to specs of transformer you are using.*	SS Stainless Steel 316

Enter configuration: _____

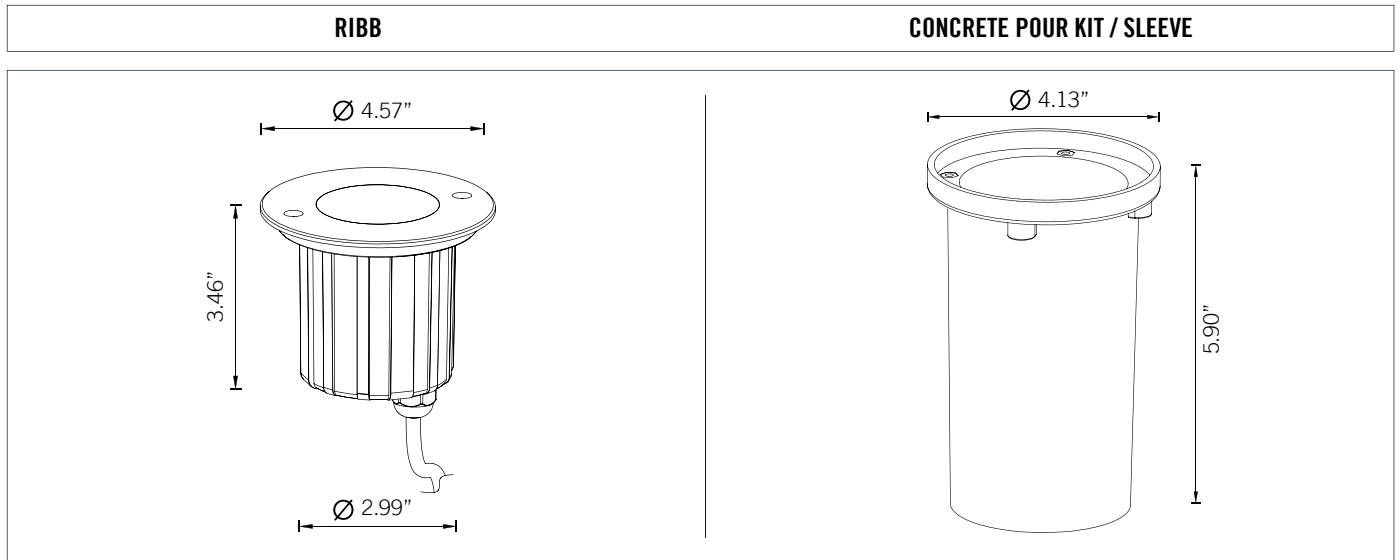
** Special Order

Dimensions and values shown are nominal. LuminosoLED continually works to improve products and reserves the right to make changes which may alter the performance or appearance of products.

PERFORMANCE DATA

Series	RIBB
Power	3W
Lumens	294 (20K) 300 (30K) 320 (50K)
IP Rating	IP67
Operating Temp.	-4°F to 104°F
Input	24V

DIMENSIONS



PHOTOMETRIC CURVES

