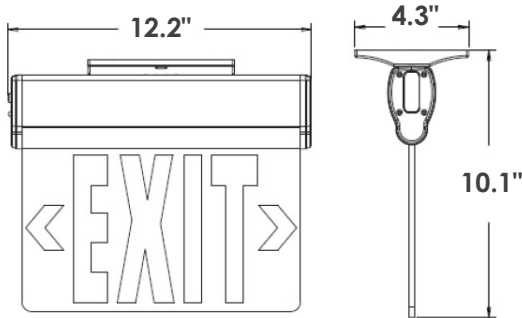


## LED EDGE LIT EXIT SIGN GREEN LETTERS



### FEATURES

- Injection-molded thermoplastic ABS housing
- UL-94V-0 flame rating, fire-retardant
- Wall, side and ceiling mounting
- Input Voltage: 120/277VAC 60Hz
- Super bright LED 2W
- Test button and charge indicator light
- Backup time: ≥90minutes
- Conversion time: <0.2second
- IP Class: IP20
- Insulation: II
- Operating Temperature: 14°F - 104°F
- Overcharge & Over-discharge protection
- 50,000 hours LED lifespan.
- 3.6V 300mAh Nickel-Cadmium battery, light last more than 90 minutes after power failure.

### HOUSING

Injection-molded, engineering-grade, flame retardant. Ultra bright, energy efficient, long life. UV-stabilized ultra-clear acrylic edge-lit panel provides consistent, uniform illumination. This Single faced sign, utilizes factory installed transparent background panel. Test switch provided.


### MOUNTING

EZ-snap mounting canopy included for top or end mount. Adjustable backplate with knockouts for wall mount.

### WARRANTY

5 year limited warranty on all electronics and housing. Battery pro-rated for five years.

**EXAMPLE:** LE-XEL-U1-GA-N

Series	Face No.	Letters	Battery	Listings
LE-XEL	U1 Single	GA (Green)	N Nickel-cadmium batteries	

Enter configuration: \_\_\_\_\_

