

RIAO / RIAP

Round / Square Mini Inground LED Flood Light

Project: _____
 Type: _____
 Model: _____

Features:

- HOUSING MATERIALS** | Die-casting dark grey powder coated aluminum
T=60-80 um./Adhesion of ISO class, 1.ATM class 4B
- FRONT COVER** | Chromeplated stainless steel SUS 316#
- GLASS LENS** | Tempered step glass. T=7mm
- CONCRETE POUR KIT / SLEEVE** | ABS
- WATER-TIGHT CABLE GLAND** | IP67
- REFLECTOR** | Optical reflector 18°/ 24°/ 32°
- LED** | NICHIA COB
- OPERATING TEMPERATURE** | -4°F to 104°F
- POWER CABLE** | H05RN-F 2X1.0mm² L=0.5m (low voltage)
- FIXTURE IP/ IK Rating** | IP67 Rated / IK08

OPTICS



RIAO / RIAP



18°



24°



32°

Example: RIAO-4L30K-D32-X-SS

Series	Lumens (CCT)			Beam Angle			Accessory	Voltage	Finish
	3L20K 3L (2000K) 346 Lumens	4L30K 4L (3000K) 442 Lumens	5L50K 5L (5000K) 506 Lumens	D18 18°	D24 24°	D32 32°			
RIAO Round Inground 6 Watts							Leave Blank	X 24 Volts	SS Stainless Steel 316
RIAP Square Inground 6 Watts							LH015 Hexcell Louver Accessory	Requires remote 24V transformer. This fixture is not dimmable*	

Enter configuration: _____

** Special Order



RIAO



RIAP

OPTIONAL LOUVER



+



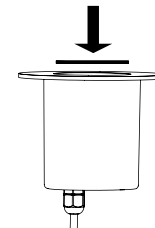
→



LH015
Optional Accessory
Hexcell Louver

GLASS PRESSURE CAPACITY

783 kgs (1,726 lb)

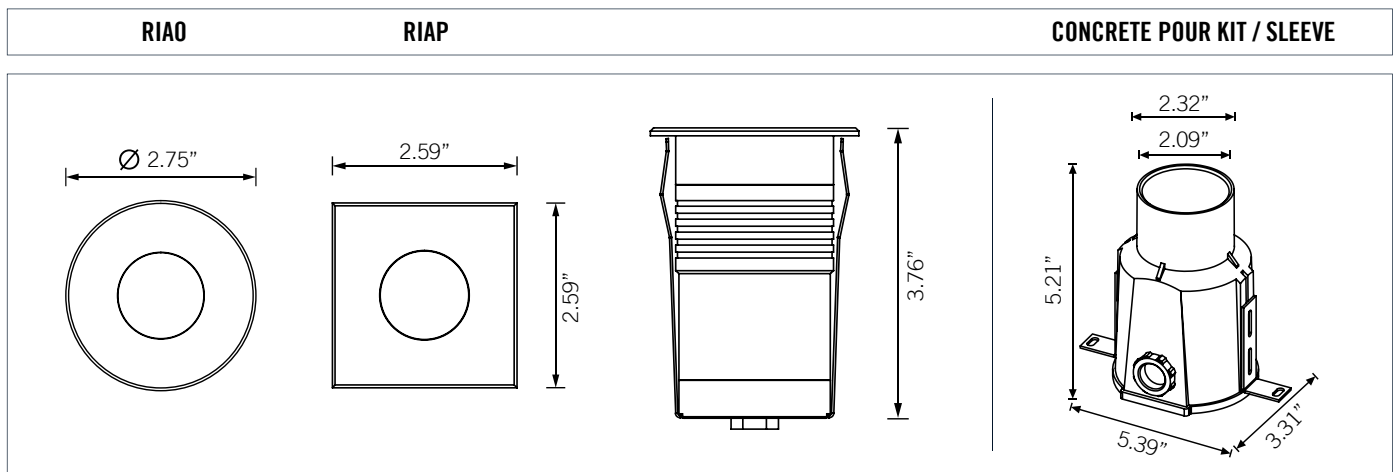


Dimensions and values shown are nominal. LuminosoLED continually works to improve products and reserves the right to make changes which may alter the performance or appearance of products.

PERFORMANCE DATA

Series	RIAO / RIAP
Power	6W
Lumens	346 (20K) 442 (30K) 506 (50K)
IP Rating	IP67
Operating Temp.	-4°F to 104°F
Input	24V

DIMENSIONS



PHOTOMETRIC CURVES

