

Project: _____

Type: _____

Model: _____

Features:

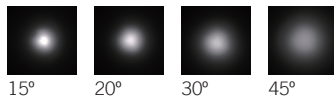
- HOUSING MATERIALS** | Coated aluminum, anodized powder coating.
T=60-80 um. Adhesion of ISO class, 1.ASTM class 4B
- GLASS LENS** | Tempered step glass. T=3mm
- DIMMABLE** | Not dimmable
- CABLE GLAND** | Nickel coated copper
- GASKET** | Tooling shaped seal
- PCB** | Excellent heat conductivity aluminum.
- OPERATING TEMPERATURE** | -4°F to 113°F
- POWER CABLE** | H05RN-F 2X1.0mm² L=2.0m (low voltage)
- FIXTURE IP/ IK Rating** | IP66 Rated / IK02



RGK

OPTICS


RGK


FINISH OPTIONS

 Graphite
RAL7037

 Silver
RAL9006

 Bronze
RAL8019

 Black
RAL9005

 White
RAL9003

Example: RGK-1L50K-D15-X-GR


Series	Lumens (CCT)			Beam Angle				Voltage	Finish
RGK 2.6 Watts	1L30K 1L (3000K) 170 Lumens	1L40K 1L (4000K) 180 Lumens	1L50K 1L (5000K) 190 Lumens	D15 15°	D20 20°	D30 30°	D45 45°	X X = 24 Volts Requires remote 24V transformer.	BK Black WH White GR Graphite SV Silver BZ Bronze

Enter configuration: _____

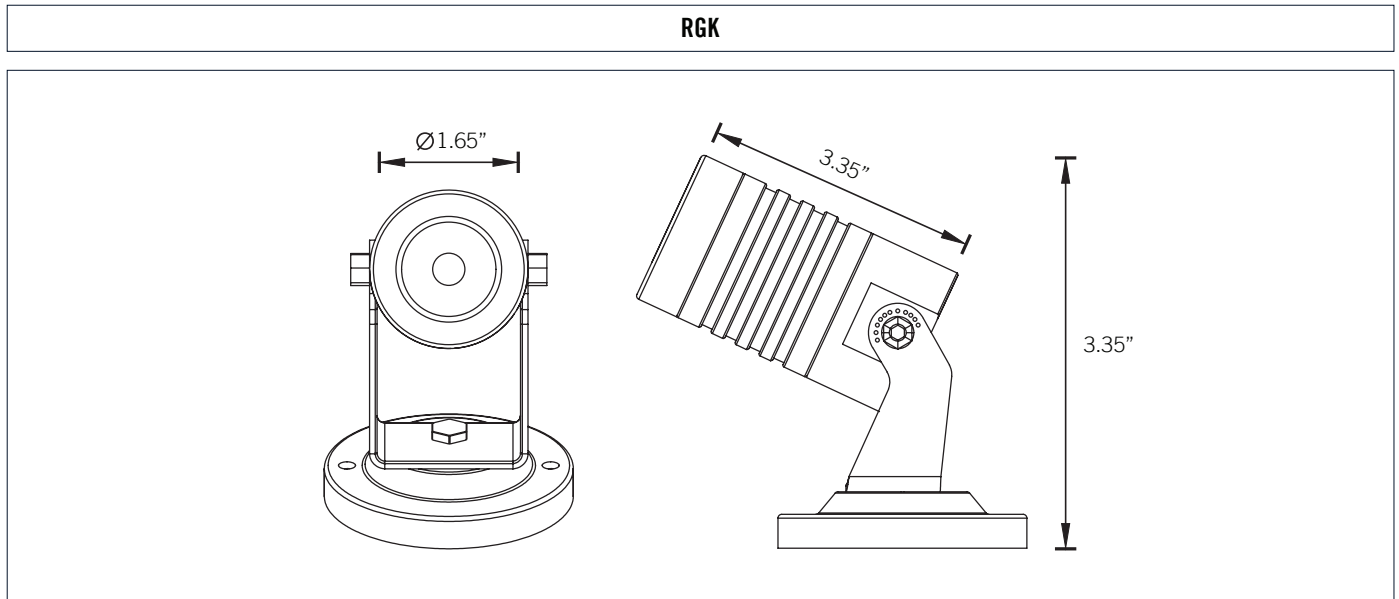
** Special Order

Dimensions and values shown are nominal. LuminosoLED continually works to improve products and reserves the right to make changes which may alter the performance or appearance of products.

PERFORMANCE DATA

Series	RGK
Power	2.6W
Lumens	170 (30K) 180 (40K) 190 (50K)
IP Rating	IP66
Operating Temp.	-4°F to 104°F
Input	24V

DIMENSIONS



PHOTOMETRIC CURVES

