

Project: \_\_\_\_\_  
 Type: \_\_\_\_\_  
 Model: \_\_\_\_\_

**Features:**

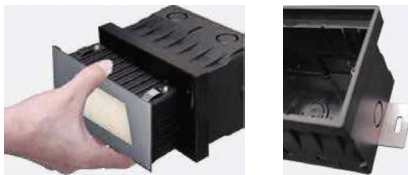
- HOUSING MATERIALS** | Die-casting dark grey powder coated aluminum.  
T=60-80 um. Adhesion of ISO class, 1.ASTM class 4B
- FRONT COVER** | Hard Chromeplated Stainless steel 316#
- LED** | SMD3030
- DIMMABLE** | Yes\*
- Back box / J-Box** | ABS
- WATER-TIGHT CABLE GLAND** | IP67
- OPERATING TEMPERATURE** | -4°F to 113°F
- POWER CABLE** | H05RN-F 2X1.0mm<sup>2</sup> L=0.5m (24 Volts)
- FIXTURE IP/ IK Rating** | IP65 Rated / IK09



RSD



**MOUNTING SLEEVE**



Example: RSD-0L40K-X-SS



Series	Lumens (CCT)			Voltage	Finish
<b>RSD</b> 3.5 Watts	<b>0L20K</b> 0L (2000K) 65 Lumens	<b>0L30K</b> 0L (3000K) 82 Lumens	<b>0L40K</b> 0L (4000K) 90 Lumens	<b>X</b> X = 24 Volts	<b>SS</b> Stainless Steel
				Requires remote 24V transformer. For dimming, refer to specs of transformer you are using.*	

Enter configuration: \_\_\_\_\_

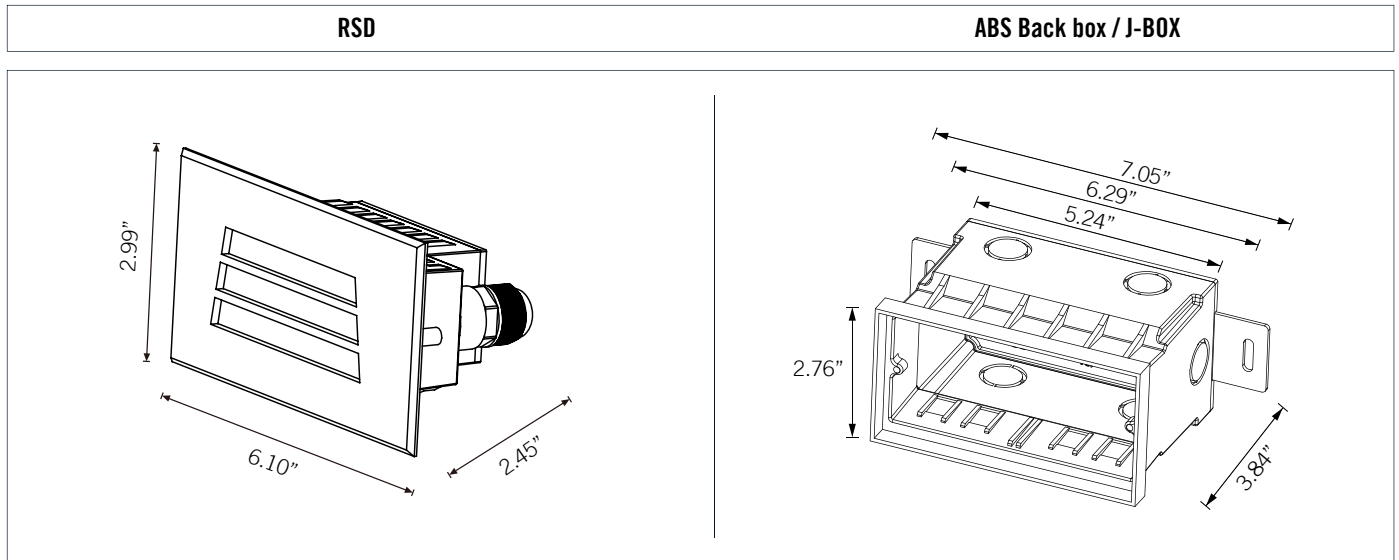
\*\* Special Order

Dimensions and values shown are nominal. LuminosoLED continually works to improve products and reserves the right to make changes which may alter the performance or appearance of products.

**PERFORMANCE DATA**

Series	RSD
Power	3.5W (18x0.2W)
Lumens	65 (20K) 82 (30K) 90 (40K)
IP Rating	IP65
Operating Temp.	-4°F to 104°F
Input	24V

**DIMENSIONS**



**PHOTOMETRIC CURVES**

