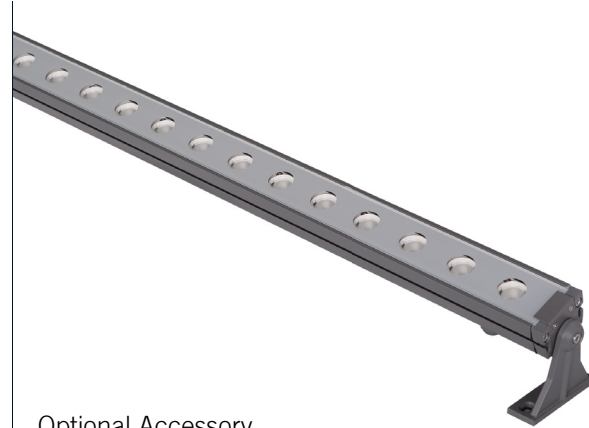
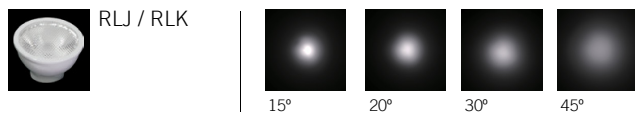


Project: _____
 Type: _____
 Model: _____

Specifications:

- HOUSING MATERIALS** | Extruded aluminum, powder coated
- BRACKET** | Die-casting powder coated aluminum
- GLASS LENS** | Tempered step glass. T=3mm
- DIMMABLE** | Yes*
- WATER-TIGHT CABLE GLAND** | IP68
- REFLECTOR** | Optical reflector 15° / 20° / 30° / 45°
- OPERATING TEMPERATURE** | -4°F to 113°F
- FIXTURE IP / IK Rating** | IP66 Rated / IK05

OPTICS

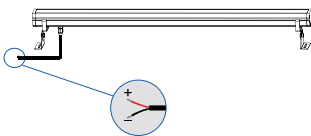


Optional Accessory



SO Type

Single cable, open wire type



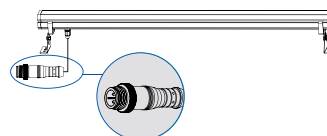
TO Type

Twin cables, open wire type



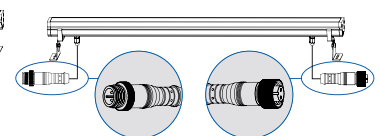
SP Type

Single cable, plug type



TP Type

Twin cables, plug type



Example: RLJ-12L30K-D45-X-SV / Static Color: RLK-R-D30-X-SV

Series	Lumens (CCT)			Beam Angle				Voltage	Optional	Accessory	Finish
RLJ 25 Watts	11L20K 11L (2000K) 1,174 Lumens	12L30K 12L (3000K) 1,260 Lumens	14L50K 14L (5000K) 1,476 Lumens	D15 15°	D20 20°	D30 30°	D45 45°	X X = 24 Volts	SO Single cable, open wire	Blank Standard	SV Silver
	R R (RED)	G G (GREEN)	B B (BLUE)								
RLK 40 Watts	23L20K 23L (2000K) 2,308 Lumens	28L30K 28L (3000K) 2,890 Lumens	36L50K 36L (5000K) 3,655 Lumens					Requires remote 24V transformer. For dimming, refer to specs of transformer you are using.*	SP Single cable, plug type	BAG-6006 Bevel cut Anti-glare	
	R R (RED)	G G (GREEN)	B B (BLUE)								

Enter configuration: _____

** Special Order

Dimensions and values shown are nominal. LuminosoLED continually works to improve products and reserves the right to make changes which may alter the performance or appearance of products.

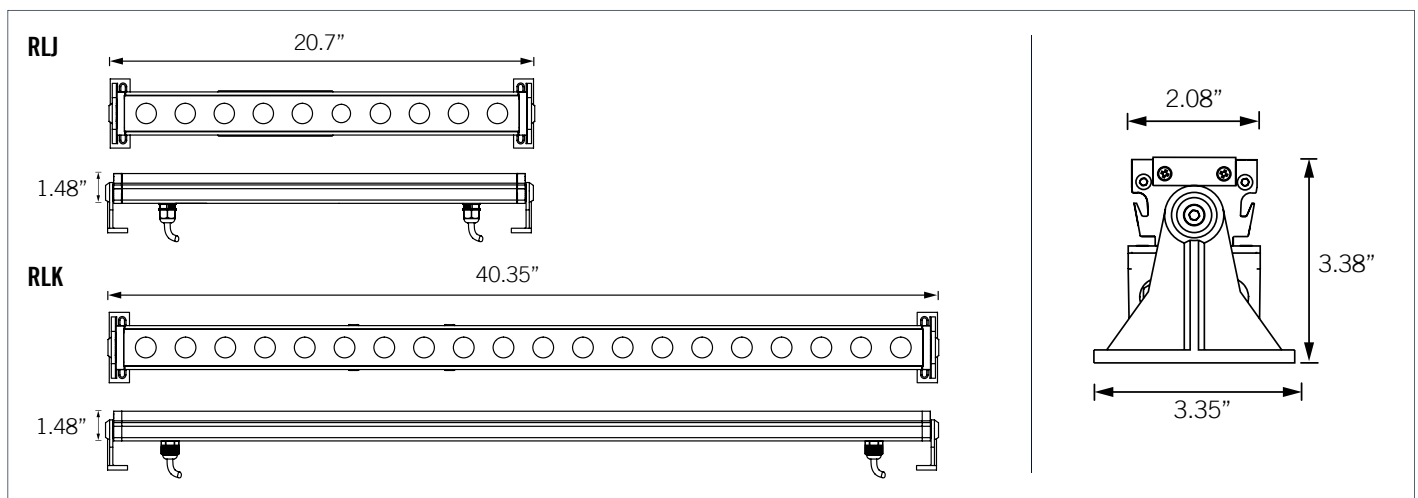
PERFORMANCE DATA

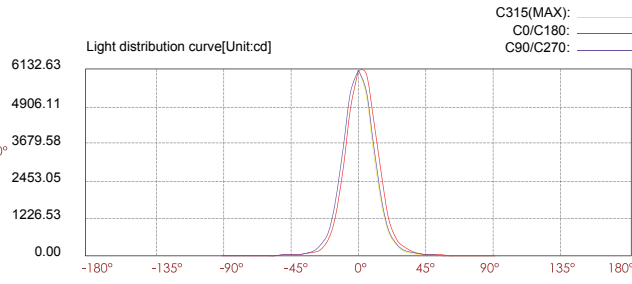
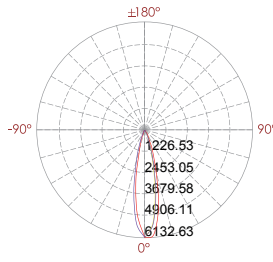
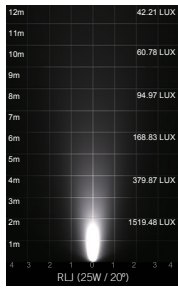
Series	RLJ	RLK
Power	25W (10x 2W)	40W (20x 2W)
Lumens	1,174 (20K) 1,260 (30K) 1,476 (50K)	2,308 (20K) 2,890(30K) 3,655 (50K)
IP Rating	IP66	IP66
Operating Temp.	-4°F to 113°F	-4°F to 113°F
Input	24V	24V

ANTI-GLARE



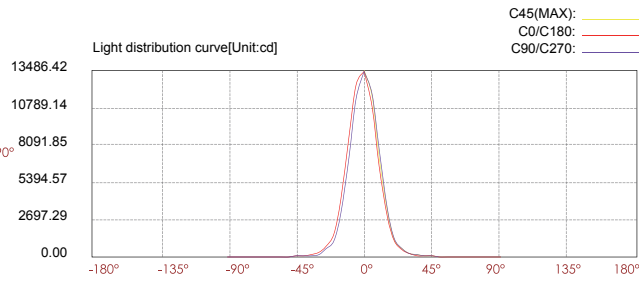
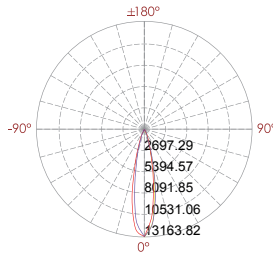
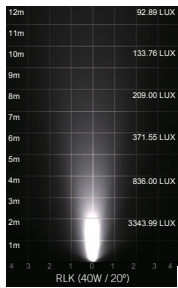
DIMENSIONS





Lux distance curve

	Illuminance at a distance			
	Center beam LUX	Beam width		
		V	H	
2m	1519.48 LUX	0.8m	0.8m	
4m	379.87 LUX	1.6m	1.7m	
6m	168.83 LUX	2.5m	2.5m	
8m	94.97 LUX	3.3m	3.3m	
10m	60.78 LUX	4.1m	4.1m	
12m	42.21 LUX	4.9m	5.0m	
Ver.Spread:23.1		Horiz.Spread:23.4		



Lux distance curve

	Illuminance at a distance			
	Center beam LUX	Beam width		
		V	H	
2m	3343.99 LUX	0.8m	0.8m	
4m	836.00 LUX	1.5m	1.6m	
6m	371.55 LUX	2.3m	2.3m	
8m	209.00 LUX	3.1m	3.1m	
10m	133.76 LUX	3.9m	3.9m	
12m	92.89 LUX	4.6m	4.7m	
Ver.Spread:21.8		Horiz.Spread:22.0		