

RIX / RIY

Asymmetrical LED Inground Flood Light

Project: _____
 Type: _____
 Model: _____

Features:

- HOUSING MATERIALS** | Die-casting dark grey powder coated aluminum
T=60~80 um./Adhesion of ISO class, 1.ATM class 4B
- FRONT COVER** | Chromeplated stainless steel SUS 316#
- GLASS LENS** | Tempered step glass. T=8mm
- DIMMABLE** | Yes*
- CONCRETE POUR KIT / SLEEVE** | ABS
- WATER-TIGHT CABLE GLAND** | IP68
- REFLECTOR** | Asymmetrical Optical reflector 45°/35°
- LED** | OSRAM
- OPERATING TEMPERATURE** | -4°F to 104°F
- POWER CABLE** | H05RN-F 2X1.0mm² L=0.5m (low voltage)
- FIXTURE IP/ IK Rating** | IP67 Rated / IK09

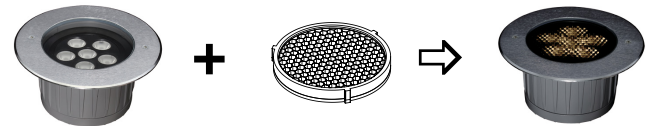


RIX



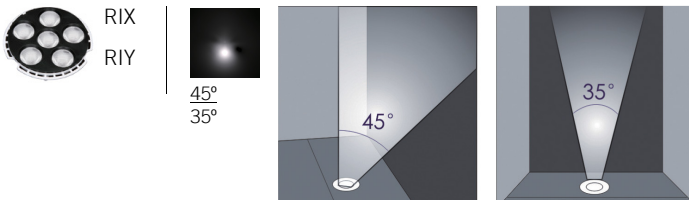
RIY

OPTIONAL LOUVER

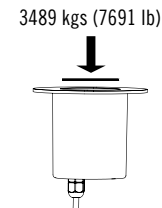


LH013
Optional Accessory
Hexcell Louver

OPTICS



GLASS PRESSURE CAPACITY



Example: RIX-14L40K-U45/35-X-SS



| Series | Lumens (CCT) | | | Asymmetrical Beam Angle | Accessory | Voltage | Finish |
|--|--|--|--|--------------------------|---|--|-------------------------------------|
| RIX Round Inground 20 Watts | 13L20K 13L (2000K) 1,307 Lumens | 14L30K 14L (3000K) 1,490 Lumens | 15L50K 15L (5000K) 1,543 Lumens | U45/35 45°/35° | Leave Blank | X 24 Volts | SS Stainless Steel 316 |
| RIY Square Inground 20 Watts | | | | | LH013 Hexcell Louver Accessory | Requires remote 24V transformer. For dimming, refer to specs of transformer you are using.* | |

Enter configuration: _____

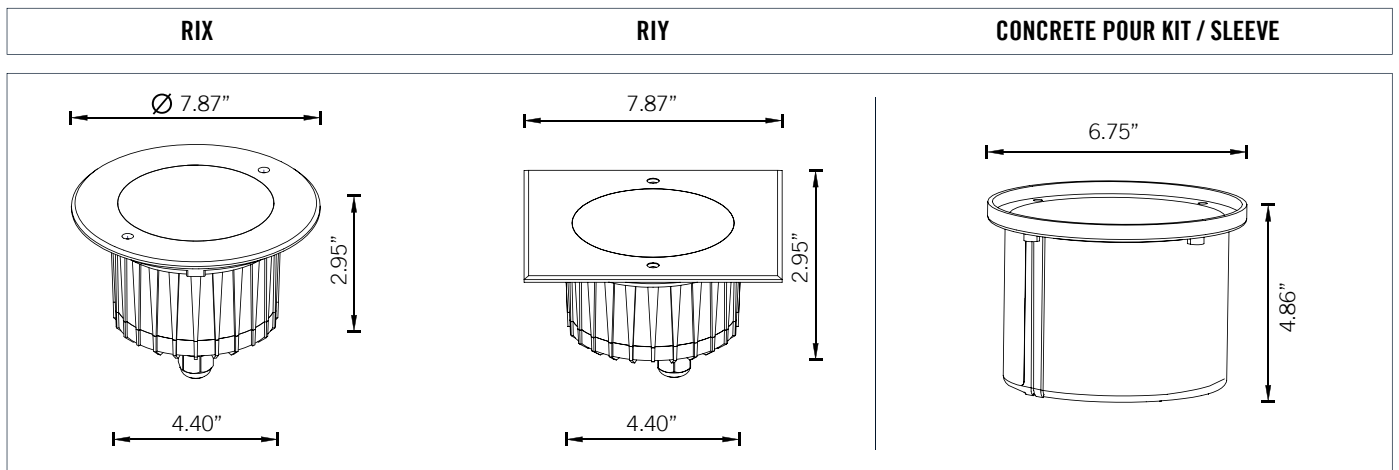
** Special Order

Dimensions and values shown are nominal. LuminosoLED continually works to improve products and reserves the right to make changes which may alter the performance or appearance of products.

PERFORMANCE DATA

| Series | RIX / RIY |
|-----------------|-------------------------------|
| Power | 5.2W |
| Lumens | 376 (30K) 479 (40K) 500 (50K) |
| IP Rating | IP66 |
| Operating Temp. | -4°F to 104°F |
| Input | 24V |

DIMENSIONS



PHOTOMETRIC CURVES

