

Project: _____
 Type: _____
 Model: _____

DESCRIPTION

Our 4 inch retrofit design makes it easy for mounting in our LED dedicated housings or most standard 4 inch housings. Retrofit Kit comes with an E26 medium screw-base Edison adaptor for easy installation into standard incandescent sockets.

PRODUCT SPECIFICATIONS

- Diecast aluminum heatsink dissipates heat from the LED board.
- 3 Tension clips per-installed on unit for easy installation.
- Gimbal can be rotated 22 degrees vertically and 355 degrees horizontally.
- E26 medium screw-base Edison adaptor provides easy installation into Incandescent housings.
- (GU10 and GU24 socket adaptor available - sold separately)

LED LIGHT ENGINE

- Dimming down to 10% with CL (TRIAC based) dimmer.
- CCT available 2700K, 3000K, 4000K, and 5000K
- Operating Temperature: -22°F to 104°F
- Long life LED chips guaranteed up to 50,000hours.

LISTINGS

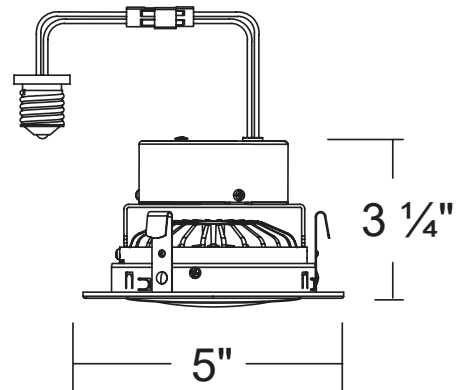
- UL Listed
- Damp rated
- RoHS compliant
- Tested in accordance with IESNA LM79 & LM80



RG



DIMENSIONS



ORDER INFORMATION

EXAMPLE: DL-4-RG-23-9-30K-Y-W



Series	Reflector	Mount	Wattage	CCT	Voltage	Finish
DL 4	RG = Round Gimbal	23 = Quick Connect	9 = 9W	27K = 2700K 30K = 3000K 40K = 4000K 50K = 5000K	Y = 120-277V	W = White

Enter configuration: _____

PERFORMANCE DATA

Watts	Voltage	CRI	Lumens			
9	120-277V	90	530	610	690	710
			2700K	3000K	4000K	5000K

Dimmer Compatibility (TRIAC)

List of Triac Dimmer Switch		
Mfr	Model #	Dimming Rate
Leviton	1A1505 / 1C1605	10 - 100%
Leviton	6631 / 6633	10 - 100%
Lutron	CT-603PG / CT-600PR	10 - 100%
Lutron	DV-600PR / DV603PG	10 - 100%
Lutron	DVW-603PGH / DVCL-153P	10 - 100%
Lutron	MACL-153M / TGCL-153P	10 - 100%
Lutron	S-600PR / S-2-LH	10 - 100%