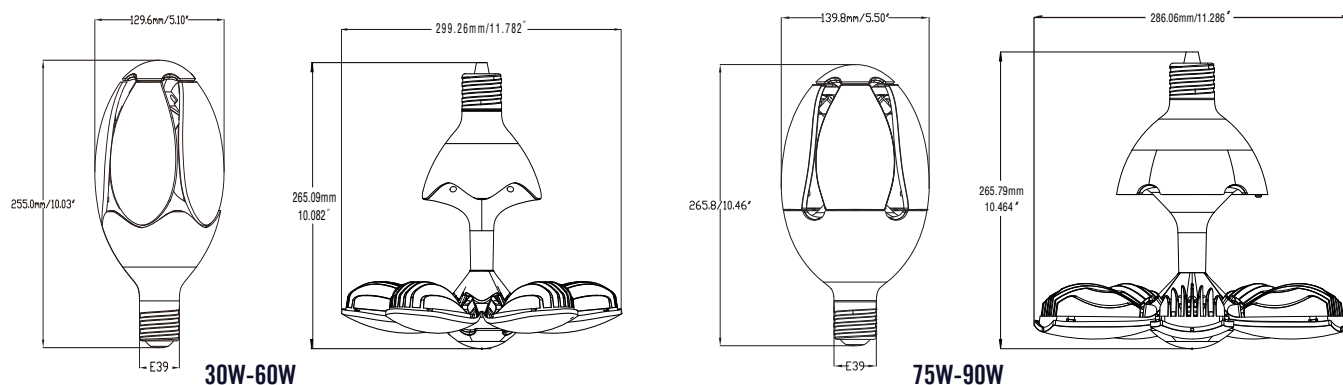


## Features

- Creative Design
- Replaces 150-400 Watts HID
- CRI (ra): >80
- Beam Angle: Adjustable
- Samsung chips, with efficacy 140 Lm/W
- Direct line Voltage, 120-277V, bypass ballast
- Integral 6kV surge protection
- Die-cast Aluminum heat sinks
- 5 Year limited warranty



## Dimensions



## Performance Summary & Description

Model	Power	Lumens	CRI	Efficacy	Input Voltage	Frequency	CCT	Base	Replaces HID
DCB-30	30W	4,200 LM	>80	168Lm/w	120-277VAC	50-60Hz	3000/4000K/5000K	E26/E39	150W
DCB-45	45W	6,300 LM	>80	140Lm/w	120-277VAC	50-60Hz	3000/4000K/5000K	E26/E39	175W
DCB-60	60W	8,400 LM	>80	140Lm/w	120-277VAC	50-60Hz	3000/4000K/5000K	E26/E39	250W
DCB-75	75W	10,500 LM	>80	140Lm/w	120-277VAC	50-60Hz	3000/4000K/5000K	E39	300W
DCB-90	90W	12,600 LM	>80	140Lm/w	120-277VAC	50-60Hz	3000/4000K/5000K	E39	400W

Enter configuration:

Example: DCB-E26-90W-Y-50K

