

Upon receipt of fixture, thoroughly inspect for any freight damage. All damage should be reported to the delivery carrier. Compare the catalog description listed on the packing slip with the fixture label on the inside of the housing to be sure you have received the correct merchandise.

READ AND FOLLOW THESE SAFETY INSTRUCTIONS!

- To reduce the risk of death, personal injury or property damage from fire, electric shock, falling parts, cuts/abrasions, and other hazards please read all warnings and instructions included with and on the fixture box and all fixture labels.
- Before installing, servicing, or performing routine maintenance on this equipment, follow these general precautions.
- Commercial installation, service and maintenance of luminaires should be performed by a qualified licensed electrician.
- For Residential installation: If you are unsure about the installation or maintenance of the luminaires, consult a qualified licensed electrician and check your local electrical code.
- Maintenance of the luminaires should be performed by person(s) familiar with the luminaires' construction and operation and any hazards involved. Regular fixture maintenance programs are recommended.
- This fixture is intended to be connected to a properly installed and grounded UL listed junction box.
- It will occasionally be necessary to clean the outside of the refractor/lens. Refractor/lens should be washed in a solution of warm water and any mild, non-abrasive household detergent, rinsed with clean water and wiped dry. Should optical assembly become dirty on the inside, wipe refractor/lens and clean in above manner, replacing damaged gaskets as necessary.
- DO NOT INSTALL DAMAGED PRODUCT! This luminaire has been properly packed so that no parts should have been damaged during transit. Inspect to confirm.
- Any part damaged or broken during or after assembly should be replaced.
- These instructions do not purport to cover all details or variations in equipment nor to provide every possible contingency to meet in connection with installation, operation, or maintenance. Should further information be desired or should particular problems arise which are not covered sufficiently for the purchaser's or owner's purposes, this matter should be referred to manufacturer.

WARNING

RISK OF ELECTRIC SHOCK

- ▶ Disconnect or turn off power before installation or servicing.
- ▶ Verify that supply voltage is correct by comparing it with the luminaire label information.
- ▶ Make all electrical and grounded connections in accordance with the National Electrical Code (NEC) and any applicable local code requirements.
- ▶ All wiring connections should be capped with UL approved wire connectors.

CAUTION

RISK OF INJURY

- ▶ Wear gloves and safety glasses at all times when removing luminaire from carton, installing, servicing or performing maintenance.
- ▶ Avoid direct eye exposure to the light source while it is on.

WARNING

RISK OF BURN

- ▶ Allow lamp/fixture to cool before handling. Do not touch enclosure, lens or light source.
- ▶ Do not exceed maximum wattage marked on luminaire label.
- ▶ Follow all manufacturer's warnings, recommendations and restrictions including but not limited to: driver type, mounting locations/methods, replacement and recycling.
- ▶ Use only lamps that comply with ANSI standards.

CAUTION

RISK OF FIRE

- ▶ Keep combustible and other materials that can burn, away from lamp/lens.
- ▶ Do not operate in close proximity to persons, combustible materials, or substances affected by heat.

CAUTION

RISK OF PRODUCT DAMAGE

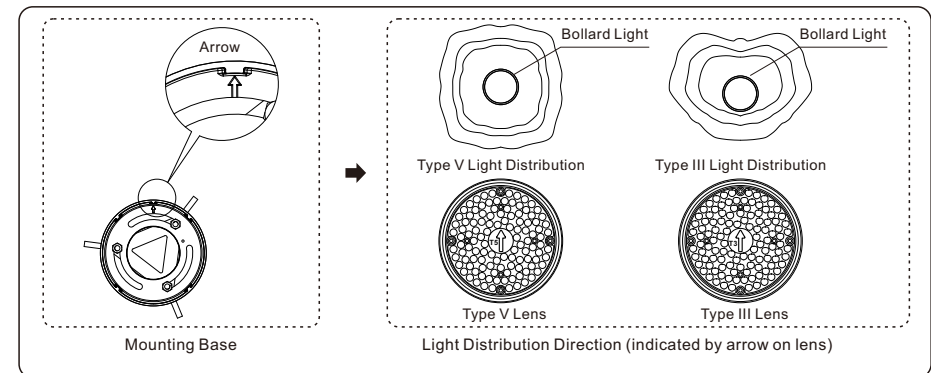
- ▶ Never connect components under load.
- ▶ Do not mount or support these fixtures in a manner that can cut the outer jacket or damaged wire insulation.
- ▶ Unless individual product specifications deem otherwise: Never connect an LED product directly to dimmer packs, occupancy sensors, timing devices, or other control devices. LED fixtures must be powered directly off a switched circuit.
- ▶ Unless individual product specifications deem otherwise: Do not restrict fixture ventilation. Allow for some volume of airspace around the fixture. Avoid covering LED fixtures with insulation, foam, or other material that will prevent convection or cooling.
- ▶ Unless individual product specifications deem otherwise: Do not exceed fixtures' maximum ambient temperature.
- ▶ Only use the fixture in its intended location.
- ▶ LED products are polarity sensitive. Ensure proper polarity before installation.
- ▶ Electrostatic Discharge (ESD): ESD can damage LED fixtures. Personal grounding equipment must be worn during all installation or servicing of the unit.
- ▶ Do not touch individual electrical components as this can cause ESD, shorten lamp life, or alter performance.
- ▶ Some components inside the fixture may not be serviceable. If your unit requires service, stop using the unit immediately and contact a manufacturer representative for assistance.
- ▶ Changes or modifications not expressly approved by manufacturer will void the product warranty.
- ▶ Always read the fixtures' complete installation instructions prior to installation for any additional fixture-specific warnings.

» Package

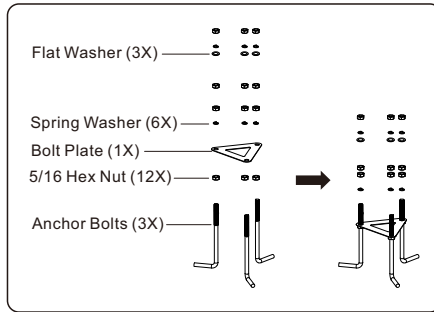
1. LED Bollard Light.
2. Installation Instruction.
3. Installation hardware.

» Light Distribution Direction Guide

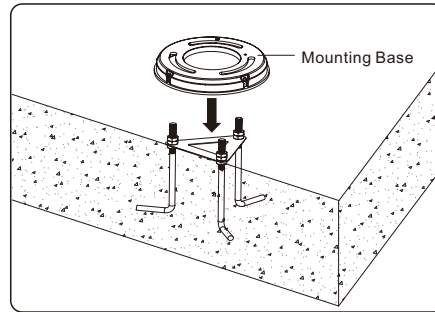
Before installing the Bollard Light, predefine the desired Light Distribution Direction. If the arrow on Mounting Base is positioned as shown in the left diagram, the corresponding Light Distribution Direction after installation will be as illustrated in the right diagram.



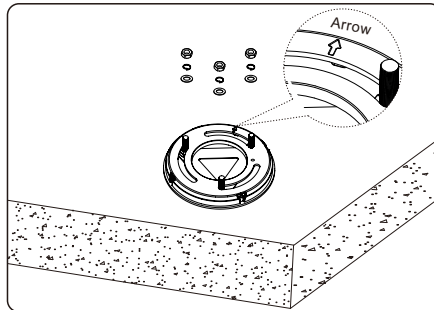
» Installation instructions



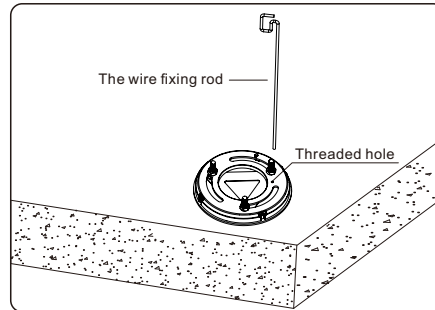
1. Install the anchor bolt assembly.



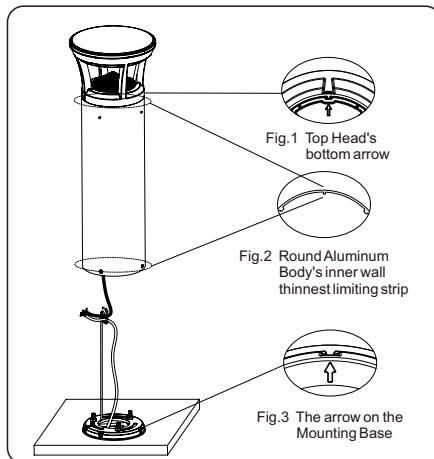
2. Bury the anchor bolt assembly into the concrete. After it has solidified, install the Mounting Base.



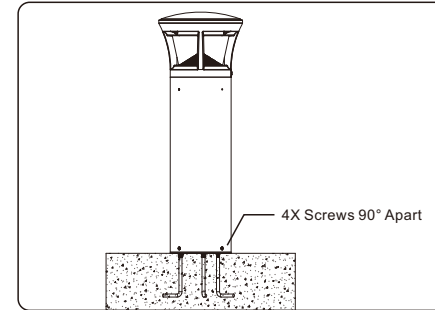
3. Adjust the position of the Mounting Base so that the direction of the arrow on it corresponds to the predefined Light Distribution Direction, then tighten the nuts on the Mounting Base.



4. Screw the threaded end of the wire fixing rod into the corresponding threaded hole on the Mounting Base (tighten fully or to a proper position).



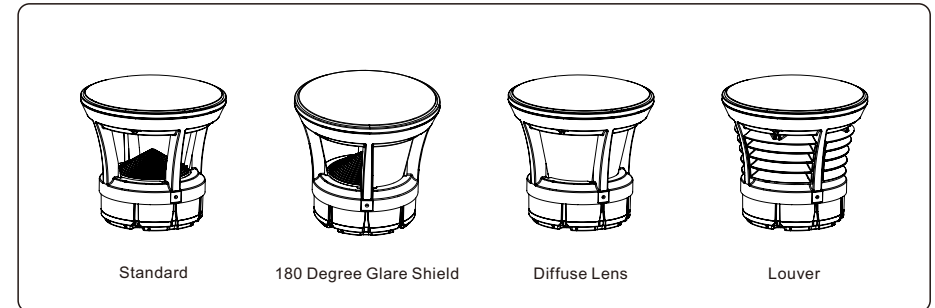
5. First, secure the fixture power supply wires to the wire fixing rod, then connect the incoming power cable wiring to the fixture power supply wires. Place the Round Aluminum Body and Top Head onto the Mounting Base, and ensure that the positions shown in Fig.1, Fig.2, and Fig.3 are aligned.



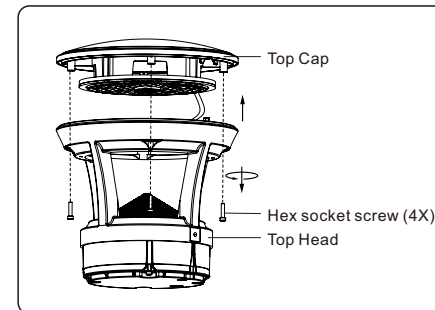
6. Install four screws, and the installation is completed.

» Installation instructions (Accessories)

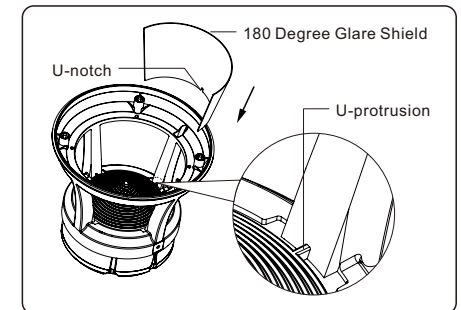
Three optional accessories are available for the Bollard Light, listed below.



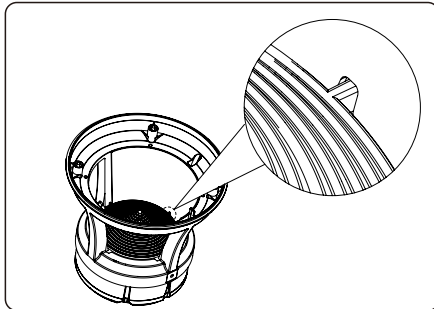
● 180 Degree Glare Shield (purchased separately)



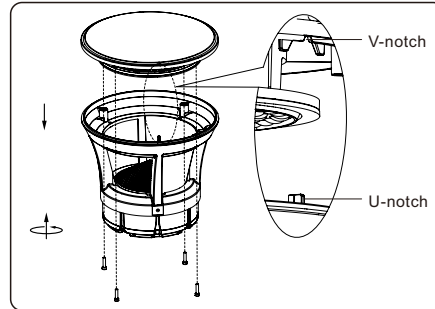
1. Remove the Hex socket screws from the Top Cap, then detach the Top Cap from the Top Head. During operation, do not overstretch the wires connected to the Top Cap to avoid poor electrical contact.



2. As shown in the figure, align the U-notch of the 180 Degree Glare Shield with the U-protrusion inside the Top Head.

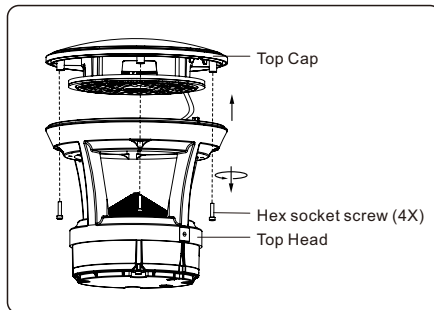


3. As shown in the figure, place the 180 Degree Glare Shield inside the Top Head.

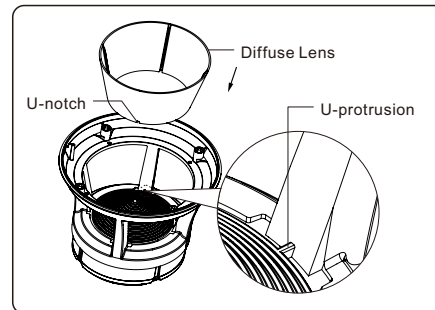


4. As shown in the figure, align the V-notch on the Top Cap with the U-notch on the Top Head, reinstall the Top Cap to its original position, and tighten the Hex socket screws.

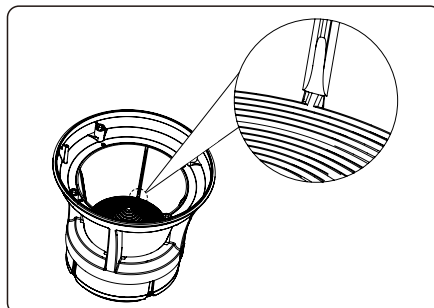
● Diffuse Lens (purchased separately)



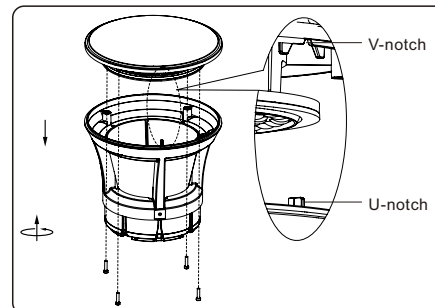
1. Remove the Hex socket screws from the Top Cap, then detach the Top Cap from the Top Head. During operation, do not overstretch the wires connected to the Top Cap to avoid poor electrical contact.



2. As shown in the figure, align the U-notch of the Diffuse Lens with the U-protrusion inside the Top Head.

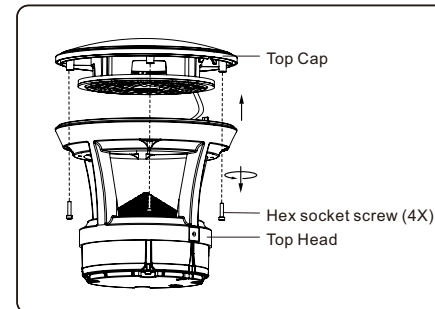


3. As shown in the figure, place the Diffuse Lens inside the Top Head.

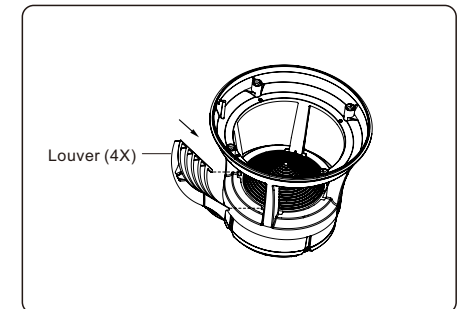


4. As shown in the figure, align the V-notch on the Top Cap with the U-notch on the Top Head, reinstall the Top Cap to its original position, and tighten the Hex socket screws.

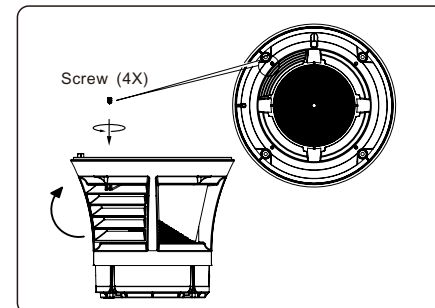
● Louver (purchased separately)



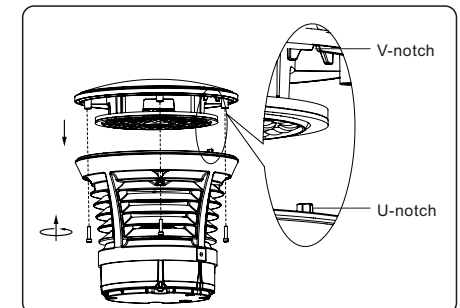
1. Remove the Hex socket screws from the Top Cap, then detach the Top Cap from the Top Head. During operation, do not overstretch the wires connected to the Top Cap to avoid poor electrical contact.



2. As shown in the figure, align one end of the Louver with the slot inside the Top Head



3. As shown in the figure, after ensuring the Louver is placed inside the Top Head, fasten the Louver with screw.



4. As shown in the figure, after installing the four Louvers, align the V-notch on the Top Cap with the U-notch on the Top Head, reinstall the Top Cap to its original position, and then tighten the Hex socket screws.

» TROUBLESHOOTING

1. Check that the line voltage at the fixture is correct. Refer to wiring directions.
2. Ensure that the fixture is grounded properly.

» Wiring diagram

