

| | |
|----------|--|
| Project: | |
| Type: | |
| Model# | |

EMF Series LED Flood Light

12-24 Volts

PRODUCT DESCRIPTION

The Luminoso EMF 12-24 low voltage series combines modern styling with the latest LED technology. They are available in 7, and 12 watts, 3000K, 4000K, and 5000K. The lumen out put make this product ideal for nearly any exterior lighting application. With up to 70% energy savings over its traditional counterparts the EMF presents the future of area lighting.

PERFORMANCE SUMMARY

| |
|--|
| Efficacy: 100 Lm/W |
| Delivered Light Output: 700 - 1,200 Lumens |
| Input Power: 7, 12 Watts |
| CRI: Ra > 70 |
| CCT: 3000K, 4000K, 5000K |
| Input Voltage: 12/24V |
| Power Factor: >0.95 |
| Frequency: 50/60Hz |
| Standard Warranty: 5 Years |
| Standard Lifetime: 50,000 hours |
| IP Rating: IP66 |
| Die-cast aluminum housing |
| National listing lab tested with IES standards |



Swivel Mount



Trunnion Mount



ORDER INFORMATION

EXAMPLE: EMF-12W-X-40K-B77-26-BZ



| Series | Wattage | Voltage | CCT | Beam | Mount | Finish |
|--------|-----------|--------------|--|-----------|--|----------------|
| EMF | 7W 12W | X = 12 - 24V | 30K = 3000K* 40K = 4000K 50K = 5000K | B77=7Hx7V | 22= Trunnion Mount 26= Swivel Bracket | BZ=Dark Bronze |

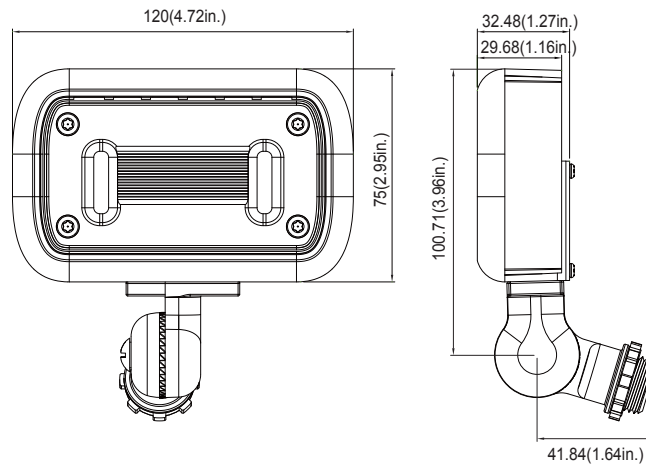
Enter configuration:

** Special Order / contact vendor

Series / Performance

| Series No. | EMF-7W | EMF-12W |
|------------------------|--------------------|--------------------|
| Power | 7W | 12W |
| Lumens | 700 | 1,200 |
| Efficacy | 100 Lm/w | 100 Lm/w |
| Operating Temp. | -40°F to 113°F | -40°F to 113°F |
| Dimensions (L x W x H) | 1.6 x 7.1 x 4.4 in | 2.4 x 8.2 x 5.2 in |
| Input | 120-277V AC | 120-277V AC |

Dimensions



Luminous Intensity Distribution Curve

