

## DESCRIPTION

The WCSD Commercial downlight is equipped with a convenient selectable color temperature and wattage dip switch, making it versatile for a wide range of applications. With an integrated driver, the WCSD series seamlessly retrofits existing commercial housings and allows for easy field access from below the ceiling. The self-flanged spun aluminum reflector, coupled with a frosted lens, effectively shields direct views from LEDs, ensuring comfortable and ambient lighting.

## ELECTRICAL

Field select from three lumen outputs and color temperatures using dip switches on fixture. 0-10V dimmable to 10% using forward or reverse phase dimmers.

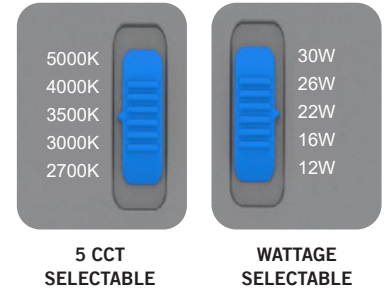
## LED ENGINE

Selectable CCT: 2700K, 3000K, 3500K, 4000K and 5000K  
 5 Selectable Wattages  
 80 CRI  
 LED board mounted to aluminum heat sink for maximum life output and thermal management.

## FEATURES

Selectable Kelvin temperature & wattage  
 Driver Info: 120-277V; 50/60 Hz  
 LED Life: 50,000 Hours  
 Operating Temperature: -20°F to 113°F  
 Warranty: 5 year limited warranty  
 0-10V dimming (10-100%)  
 IP54 Rated (Splashing water)  
 IK06 Rated  
 IC and Airtight Rated  
 White finish: RAL9016

Project:	Date
Type:	
Model:	



Example: WCSD-4-WS5-CCTS-Y



Series	Trim size	Wattage Selectable	CCTS	Voltage
WCSD Commercial Down light	4 4 inch	<b>WS5</b> Selectable Wattage 6W / 8W / 10W / 12W / 16W	<b>CCTS</b> Selectable Color Temperature 2700K / 3000K / 3500K / 4000K / 5000K	<b>Y</b> 120-277V
	6 6 inch	<b>WS5</b> Selectable Wattage 12W / 16W / 22W / 26W / 30W		
	8 8 inch	<b>WS5</b> Selectable Wattage 16W / 22W / 26W / 30W / 35W		
	10 10 inch	<b>WS5</b> Selectable Wattage 22W / 26W / 30W / 35W / 40W		

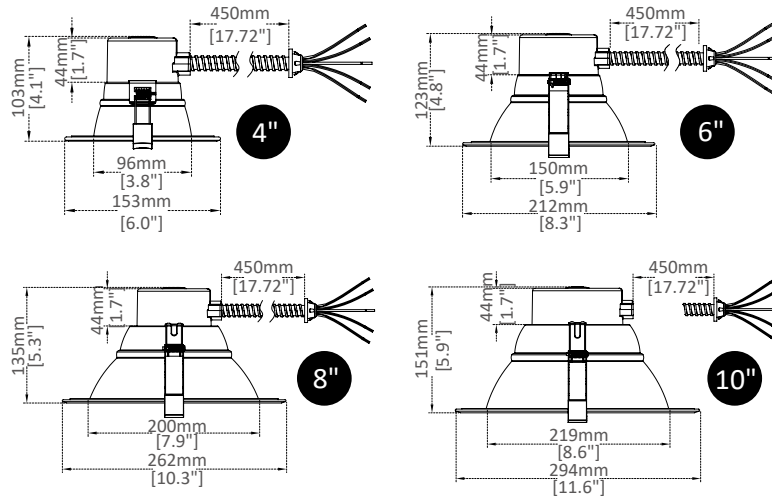
Enter configuration: \_\_\_\_\_

Dimensions and values shown are nominal. LuminosoLED continually works to improve products and reserves the right to make changes which may alter the performance or appearance of products.

**PERFORMANCE DATA**

Model	Wattage Selectable	Lumens	CCT Selectable	Lm/W	Power Factor	CRI	Beam	Voltage	Frequency
WCSD-4	16W 12W 10W 8W 6W	1,600 1,200 1,000 800 600	27K / 30K / 35K / 40K / 50K Selectable	100 lm/W	>0.95	>80	90°	120-277V	50/60Hz
WCSD-6	30W 26W 22W 16W 12W	3,000 2,600 2,200 1,600 1,200							
WCSD-8	35W 30W 26W 22W 16W	3,500 3,000 2,600 2,200 1,600							
WCSD-10	40W 35W 30W 26W 22W	4,000 3,500 3,000 2,600 2,200							

**DIMENSIONS**



**PRODUCT PACKAGING**

Size	Product Weight (kg)		Package Weight (kg)		Q'ty/BOX (PCS)	Q'ty/CTN (PCS)	Carton Size(mm)	20GP (PCS)	40HQ (PCS)
	N.W/PC	G.W/PC	N.W/CTN	G.W/CTN					
4"	0.38	0.48	11.24	12.24	1	24	21.22x13.2x21.8	6,024	14,640
6"	0.52	0.69	8.95	9.95	1	12	18.5x17.9x18.9	2,940	7,164
8"	0.67	0.91	11.50	12.50	1	12	22.8x21.7x20.5	1,812	4,404
10"	0.75	1.05	7.00	8.00	1	6	24.7x12.9x22.4	1,278	3,114