

Project:		Date
Type:		
Model#		

LMT Series 40W 2x2 LED Troffer

PRODUCT DESCRIPTION

The LMT22 LED troffer delivers exceptional 80+ CRI light while achieving 111-116 lumens per watt. This product holds both a UL as well as a DLC listing. It is available in 3500K, 4000K and 5000K CCT options with 0-10V dimming capabilities, which makes it ideal for new construction applications or retrofitting existing fluorescent troffer fixtures with recessed installation. This versatile product covers a widespread list of applications ranging from office spaces, major retail stores, and educational settings to government, healthcare, and hospitality locations. The LMT22 Complies with the ZHAGA standards and can be used for simple replacement of PCBA.



PERFORMANCE SUMMARY

Efficacy: 111 - 116 Lm/W
Delivered Lumens: 4,420 (35K) / 4,560 (40K) / 4,650 (50K) Lumens
Power: 40 Watts
CRI: Ra>80
CCT Options: 3500K, 4000K, 5000K
Input Voltage: 120-277 VAC
Input current: 0.4 - 0.16A
THD:<20%
Standard Warranty: 5 Year Warranty
Standard Lifetime: Designed to L70 minimum 50,000 hours
Installation Options: Recessed
Sign Current: 0.04-0.37 MA
Dimmable: 0-10V
Dimensions: L 23.8" x W 23.8" x H 3.94"

REGULATORY & VOLUNTARY QUALIFICATIONS

UL Listed	Yes
LM80 SMD	Yes

Recommend Dimmer:

Leviton cat,Nos:	Lutron cat,Nos:
AWRMG-7XX	AWSMG-7XX
AWSMT-7XX	IP710-LFZ/DLX
www.leviton.com	www.lutron.com/en-US

ORDER INFORMATION

EXAMPLE: LMT22-18-40W-50K-F-Y

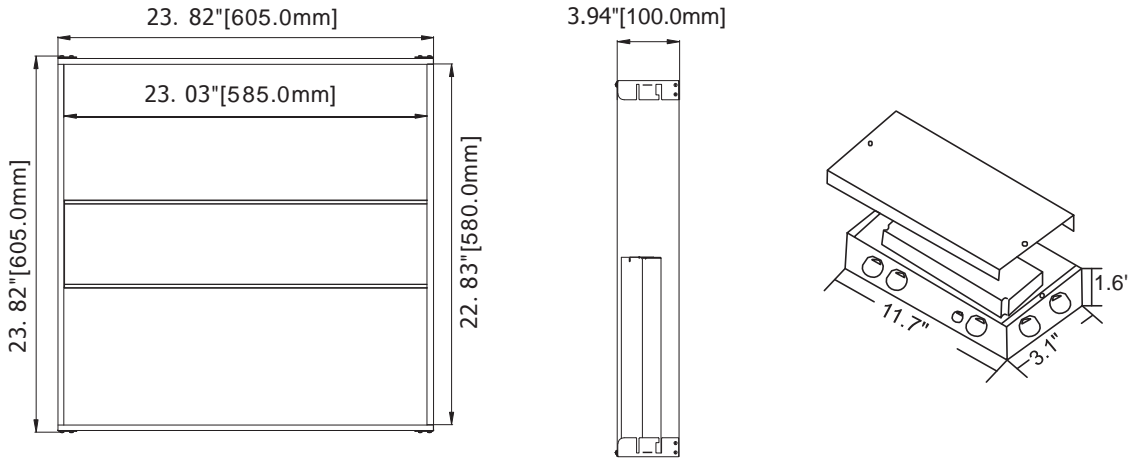


Series	Mount	Wattage	CCT	Beam	Voltage	Accessories
LMT22	18 = Lay In	40W	35K = 3500K 40K = 4000K 50K = 5000K	F = 90°	Y=120-277V	EB= Emergency Battery Back up

Enter configuration:

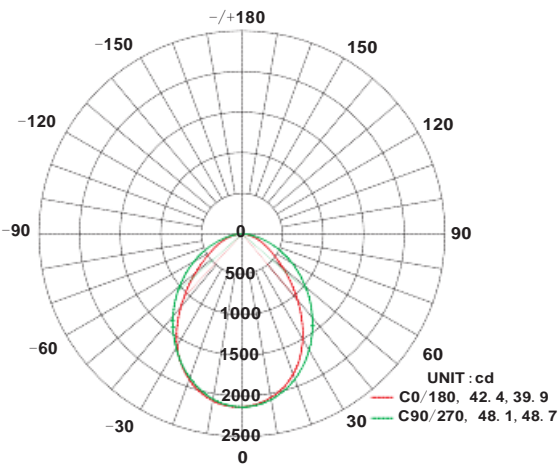
** Special Order / Contact vendor

Dimensions



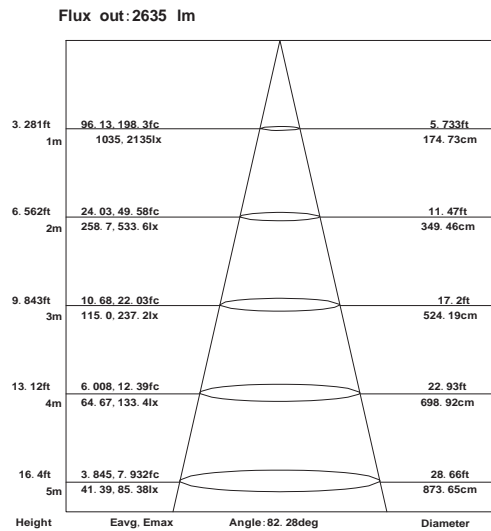
PHOTOMETRY

Fixture photometry has been conducted in accredited testing laboratory in accordance with IESNA LM-79-08.



AVERAGE BEAM ANGLE (50%) : 89.5 DEG

AVERAGE ILLUMINANCE CURVE



Note: The Curves indicate the illuminated area and the average illumination when the luminaire is at different distance.