

Project:	Date
Type:	
Model:	

## HAHB3 Series LED High Bay

High Ambient High Bay / Wattage Selectable

### DESCRIPTION

Experience brilliance like never before with our ultra-bright and power-selectable LED high bay. Illuminate vast spaces with astonishing luminosity, creating an environment that's both inviting and well-lit. Say goodbye to dim corners as this high bay radiates unparalleled brightness, making every corner of your space come to life.

### Construction

- Sturdy die-cast aluminum housing with heat-dissipating fins.
- Dark bronze polyester powder-coat finish.
- Convenient access to the driver compartment directly from the front, ensuring ease of maintenance.

### Optics

- Achieves efficiency levels of up to **190lm/W**, offering a potent illumination-to-energy ratio.
- Replaces 750W and 1000W MH with 350W and 410W.
- Offers standard 4000K and 5000K light modules.
- Provides even light intensity with a 120-degree lens.

### Electrical

- Universal voltage of 120-277VAC or 480VAC.
- 0-10V dimming standard for a dimming range of 100% to 10%.
- Functions in temperatures ranging from -40°C (-40°F) to 55°C (131°F), with the exception of wattages below 300W which have a maximum limit of 65°C (149°F).

### Controls

- Optional Microwave sensor or PIR sensor.\*

### Lifespan

- Estimated 90,000-hour LED lifespan based on IES LM-80 results and TM-21 calculations.



Up to  
**186**  
lm/W

### ORDER INFORMATION

EXAMPLE: HAHB3-WS350-Y-40K-BK-MS



Series	Wattage Selectable	Voltage	CCT	Finish	Motion Sensor
HAHB3 High Bay	<b>WS350</b> (350W / 280W / 210W / 140W)	<b>Y</b> Y = 120-277V	<b>40K</b> 4000K	<b>BZ</b> Bronze	<b>Blank</b> Blank = None  <b>MS</b> MS = Motion Sensor (Microwave Sensor)  <b>PIR</b> PIR = Motion Sensor (Passive Infrared)
	<b>WS410</b> (410W / 328W / 246W / 164W)	<b>HV</b> HV = 480V	<b>50K</b> 5000K		

Enter configuration: \_\_\_\_\_

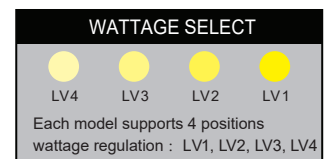
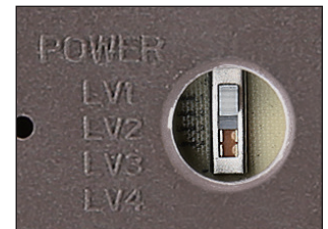
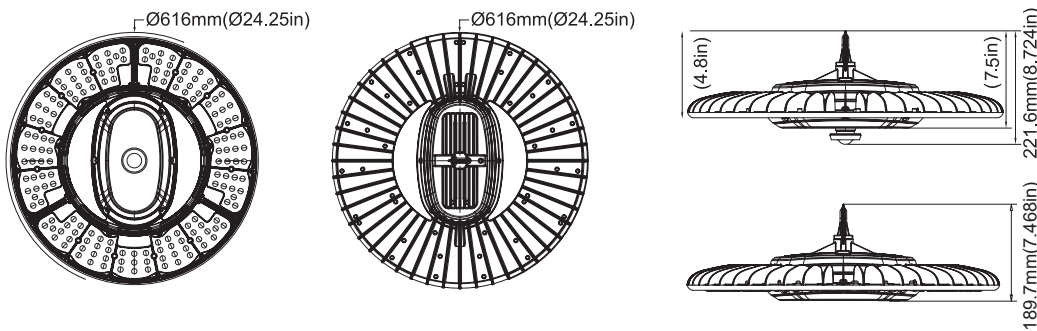
Dimensions and values shown are nominal. LuminosoLED continually works to improve products and reserves the right to make changes which may alter the performance or appearance of products.

**PERFORMANCE DATA**

SETTING	CRI	350W			TEMPERATURE
		SYSTEM WATTS	LUMENS	LPW	
100%	70	350W	62000lm	177lm/W	55°C
80%	70	280W	51000lm	182lm/W	65°C
60%	70	210W	39000lm	186lm/W	65°C
40%	70	140W	26600lm	190lm/W	65°C

SETTING	CRI	410W			TEMPERATURE
		SYSTEM WATTS	LUMENS	LPW	
100%	70	410W	72000lm	176lm/W	55°C
80%	70	328W	59000lm	180lm/W	55°C
60%	70	246W	45500lm	185lm/W	65°C
40%	70	164W	31000lm	189lm/W	65°C

**DIMENSIONS**



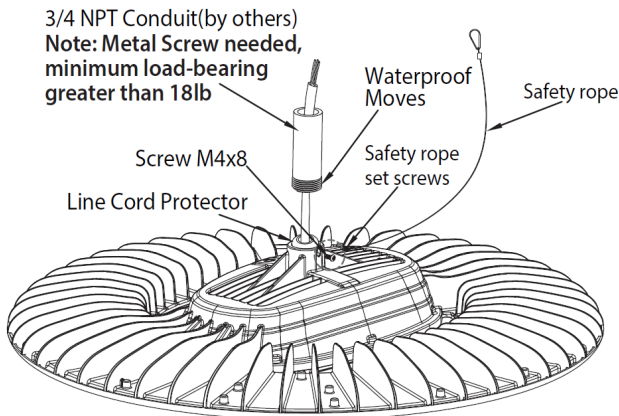
**ACCESSORIES**

<p>Plug-and-Play PIR Sensor                  PIR sensor: ANT-6-4T                  Bluetooth PIR sensor: ANT-6-4T-BLE-SR</p>	<p>Plug-and-Play Microwave Sensor *                  Microwave sensor: ANT-5-4T                  Bluetooth microwave sensor: ANT-5-4T-BLE-SR</p>

\* **Microwave sensors** offer a distinct advantage through their ability to penetrate obstacles and detect motion with remarkable precision. By emitting low-power, non-visible microwaves, these sensors can perceive movements regardless of ambient lighting conditions. This leads to heightened reliability in various applications, from energy-efficient lighting systems to security setups, where their wide detection range and adaptability excel in ensuring seamless and efficient operation.

## PENDANT MOUNT

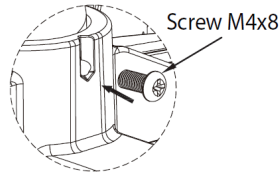
1. Begin by removing the line cord protector.
2. Twist the LED luminaire onto the 3/4" NPT conduit until firmly in place. Secure it with the M4X8 screw and establish wire connections.
3. Seal the conduit openings with caulking, utilizing sealing kits if necessary, to prevent water from entering the fixture through the 3/4 NPT conduit.



## MOUNTING

	Hook Mount
	Conduit Pendant Mount

Fig 1



## HOOK MOUNT

1. Start by removing the line cord protector.
2. Connect the wire locker end and hook, ensuring the locker end faces the hook to prevent water entry.
3. Screw the hook onto the 3/4" NPT conduit securely.
4. Fasten the luminaire by tightening the M4X8 screw.
5. Consider using the provided sealing kits for a watertight seal.

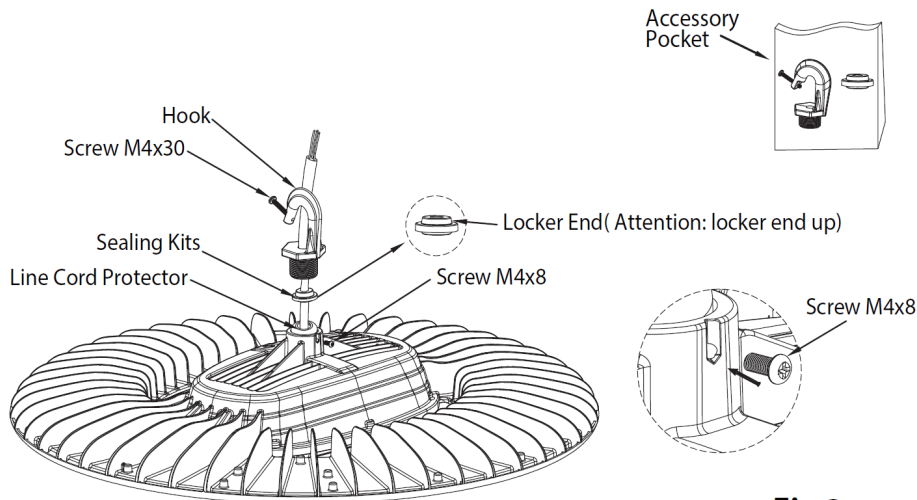
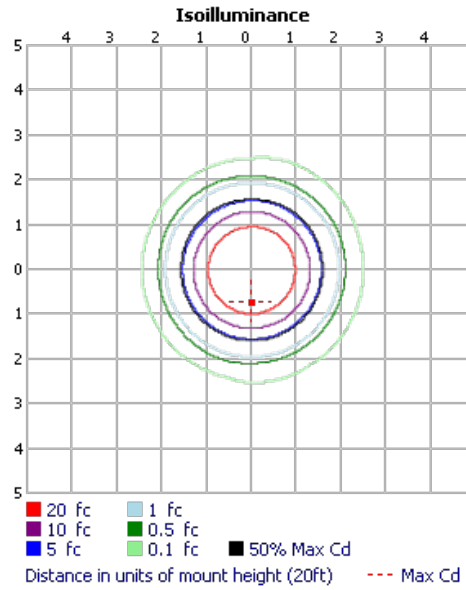
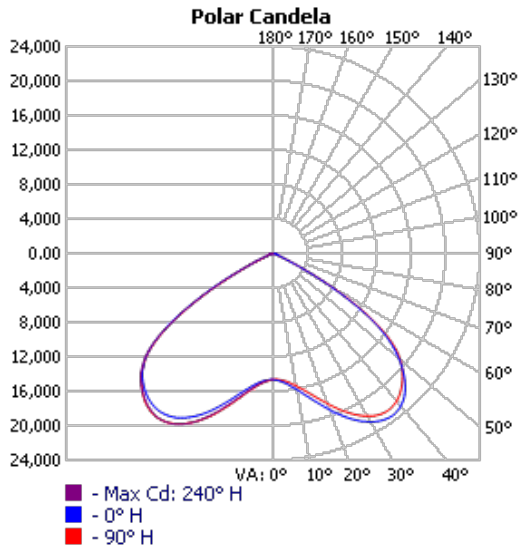


Fig 2

HAHB3-WS350



HAHB3-WS410

