

Project:		Date
Type:		
Model#		

LCA Series LED Flush Mount Light

Features & Benefits

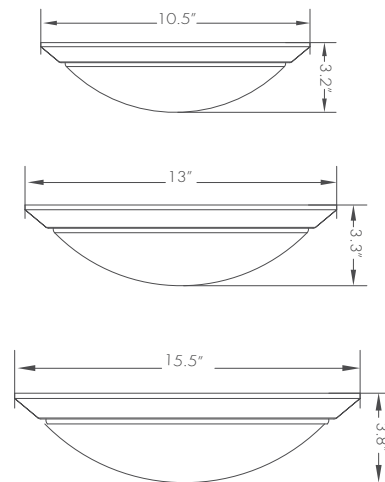
- Efficacy 90 Lm/W.
- Efficient LED ideal for indoor application.
- Maintenance free.
- Quick and easy installation, twist lock.
- Options available, 0-10V dimming, HF sensor ON-OFF & dimming.
- 5 years warranty.



Specification

Input Voltage	120-277VAC
Power rating	12 - 28 Watt
Lumens	960 - 2,780
Efficacy	90 Lm/W
CRI	>80
Finish	White / Satin Nickel / Black**
Impact resistance	IK10
IP rating	IP20
Power Factor	≥0.9
Operating Temp	-4°F ~ 122°F
Certificate	ETL
Warranty	5 Years
Dimmable	0-10V Optional

Dimensions



ORDER INFORMATION

EXAMPLE: LCA-18W-Y-40K-W-14-WH



Series	Wattage	Voltage	CCT	Beam	Mount	Finish	Controls
LCA	12W 18W 28W	Y= 120-277V	30K = 3000K 40K = 4000K 50K = 5000K	W = 160°	14=Direct Mount	BK = Black** WH = White SN = Satin Nickel	Blank = Standard DIM = 0-10V Dimming OO = On/Off Motion Sensor BTD = Bi/Tri Level Dimming Sensor

Enter configuration:

** Special Order / contact vendor

12W / Performance

Series	Size	Power (Watts)	CCT			Control Options
			3000K	4000K	5000K	
LCA	10.5" inch	12	960 Lm	1,008 Lm	1,058 Lm	Leave Blank Standard 0-10V Dimming On/Off Motion Sensor** Bi/Tri Level Dimming Sensor**

18W / Performance

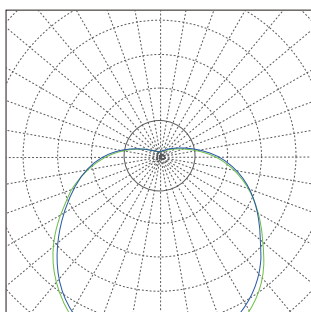
Series	Size	Power (Watts)	CCT			Control Options
			3000K	4000K	5000K	
LCA	13" inch	18	1,620Lm	1,700Lm	1,790Lm	Leave Blank Standard 0-10V Dimming On/Off Motion Sensor** Bi/Tri Level Dimming Sensor**

28W / Performance

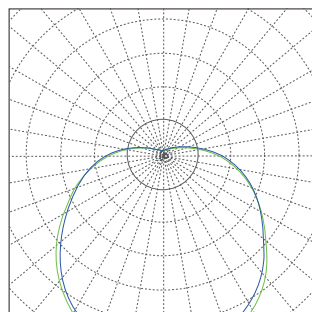
Series	Size	Power (Watts)	CCT			Control Options
			3000K	4000K	5000K	
LCA	15.5" inch	28	2,520 Lm	2,650 Lm	2,780 Lm	Leave Blank Standard 0-10V Dimming On/Off Motion Sensor** Bi/Tri Level Dimming Sensor**

Special Order **

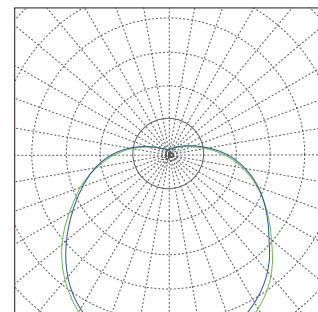
Photometric



C0/C180: — C90/C270: —



C0/C180: — C90/C270: —



C0/C180: — C90/C270: —