

6" Round Panel / Selectable CCT

Project: _____
 Type: _____
 Model: _____

DESCRIPTION

6 inch LED round panels feature a selectable color temperature switch to accommodate nearly any application. Our low profile design makes it easy for mounting in confined ceilings or narrow spaces. Rated for IC and damp locations, this easy-to-install fixture does not require a separate housing as it can be mounted directly into the ceiling.

PRODUCT SPECIFICATIONS

- White painted Die-cast body is appropriate for heat dissipation.
- 2 Spring clips per-installed on unit for easy installation.
- One light J-Box.

LED LIGHT ENGINE

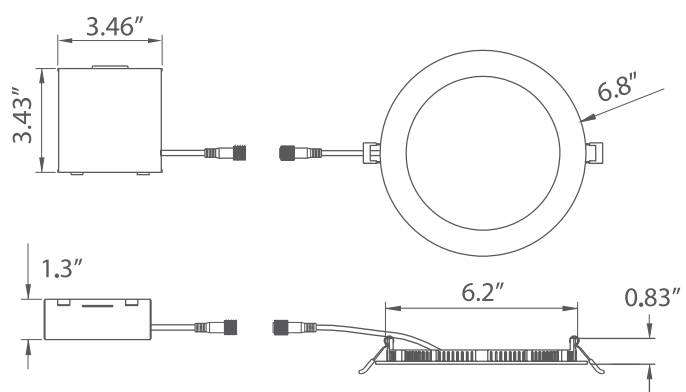
- Dimming down to 10% with CL (TRIAC based) dimmer.
- CCT SELECTABLE: 2700K, 3000K, 3500K, 4000K, and 5000K
- CRI 90
- Long life LED chips guaranteed up to 50,000hours.

LISTINGS

- ETL Listed
- Damp locations
- RoHS compliances
- Tested in accordance with IESNA LM79 & LM80



DIMENSIONS



ORDER INFORMATION

EXAMPLE: TWRP6-12-Z-CT-W



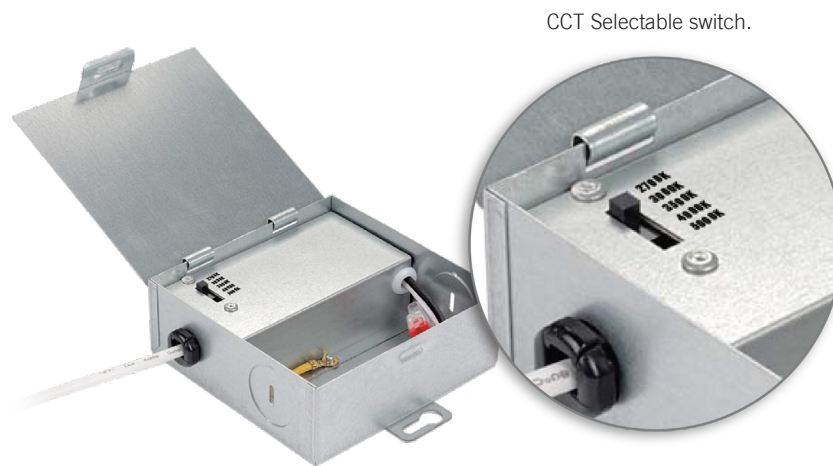
| Series | Wattage | Voltage | CCT | Finish |
|--------|---------|----------|--|-----------|
| TWRP6 | 12W | Z = 120V | CT = (Color Temp. Selectable) 27K - 30K - 35K - 40K - 50K | W = White |

Enter configuration: _____

PERFORMANCE DATA

| WATTS | VOLTAGE | CRI | LUMENS |
|-------|---------|-----|--------|
| 12W | 120VAC | 90 | 1,100 |

COLOR SELECTABLE



CCT Selectable switch.

6" 12W Dimmer Compatibility

| Number | Dimmer Brand Model | Power | Max. output current(=mA) | Min. output current(=mA) | Max. dimming ratio | Min. dimming ratio |
|--------|----------------------|-------|--------------------------|--------------------------|--------------------|--------------------|
| 1 | LEVITON 6674 | 12W | 268 | 10 | 93% | 3% |
| 2 | LUTRON DVCL-153P | 12W | 267 | 23 | 93% | 8% |
| 3 | LUTRON CTCL-153P | 12W | 267 | 16 | 93% | 6% |
| 4 | LUTRON MACL-153M | 12W | 260 | 18 | 91% | 6% |
| 5 | ELECTR/V/ART 40201 | 12W | 280 | 30 | 98% | 10% |
| 6 | LUTRON SCL-153P | 12W | 268 | 5 | 93% | 2% |
| 7 | LEVITON 6633-P | 12W | 285 | 1 | 99% | 0% |
| 8 | LEVITON 6613 | 12W | 284 | 9 | 99% | 3% |
| 9 | LEVITON 66EV | 12W | 284 | 59 | 99% | 21% |
| 10 | LEVITON DDE06 | 12W | 266 | 9 | 93% | 3% |
| 11 | LUTRON SELV-303P | 12W | 271 | 19 | 94% | 7% |
| 12 | LUTRON DVSCSELV-300P | 12W | 268 | 18 | 93% | 6% |