

Project: _____

Type: _____

Model# _____

PRODUCT DESCRIPTION

Our innovative Selectable Watt 2x2ft LED Troffer is the energy efficient replacement for a 2x2 fluorescent light. Its selectable feature enables you to select between 30W, 35W, and 40W, which allows for further energy conservation. This innovative beautiful luminaire combines brilliant aesthetics with perfect uniformity of light – no visible diodes or glare. The optics create the illusion of the light floating in mid-air. Ideal for use in classrooms, retail space, offices, healthcare facilities, and many other industrial and commercial applications. Included is a UL Recognized constant current driver with 0-10V dimming and step dimming, capabilities.

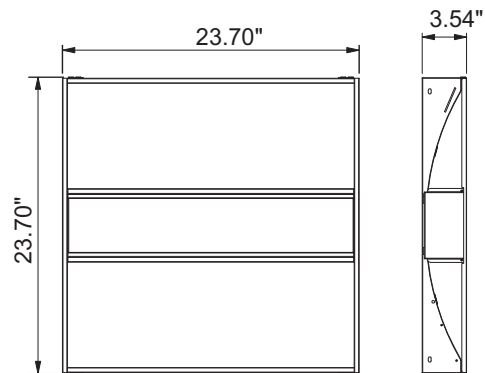


SELECTABLE WATTAGE
30W ►► 35W ►► 40W

PERFORMANCE SUMMARY

Efficacy: 102-109 LPW
Power Selectable: 30 / 35 / 40 Watts
CRI: 80
CCT Options: 3500K, 4000K, 5000K
Input Voltage: 120-277 VAC
Input current: 0.5A
THD:<20%(277V)
Driver output: DC42V 1A
Standard Warranty: 5 Year Warranty
Standard Lifetime: Designed to L70 minimum 50,000 hours
Installation: Lay in / recessed
0-10V dimming
Dimensions: L 23.7" x W 23.7" x H 3.54"

DIMENSIONS



EXAMPLE: LMZ22-18-TW-40K-F-Y



Series	Mounting	Wattage	CCT	Beam	Voltage
LMZ22	18 Lay in	TW (Selectable Wattage) 30W / 35W / 40W	35K: 3500K 40K: 4000K 50K: 5000K	F 90°	Y 120-277V

Enter configuration: _____

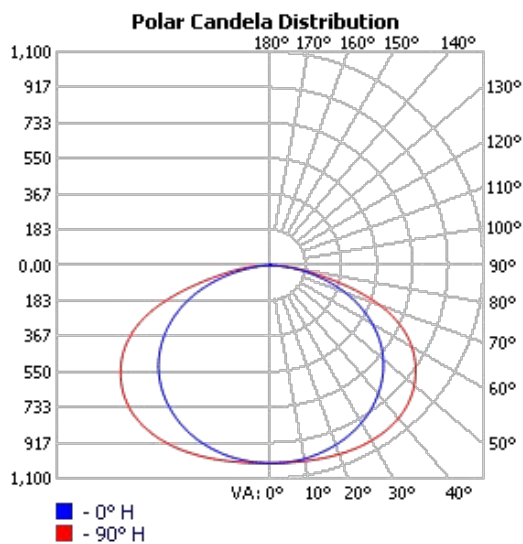
LMZ-22 Series 2X2 LED Troffer

Performance Summary

Model	Watts	CCT	Lumen (Lm)	Efficacy	CRI	Beam (angle°)	Voltage	Operating Temp.
LMZ22	40W	3500K	3,600	95 LPW	80	90°	120-277VAC 50/60Hz	-4°F to 113°F
		4000K	3,700	95 LPW				
		5000K	3,800	100 LPW				
	35W	3500K	3,535	101 LPW	80	90°	120-277VAC 50/60Hz	-4°F to 113°F
		4000K	3,600	101 LPW				
		5000K	3,675	100 LPW				
	30W	3500K	3,000	102 LPW	80	90°	120-277VAC 50/60Hz	-4°F to 113°F
		4000K	3,060	101 LPW				
		5000K	3,100	100 LPW				

PHOTOMETRY

Fixture photometry has been conducted in accredited testing laboratory in accordance with IESNA LM-79-08.



ZONAL LUMEN SUMMARY

ZONE	LUMENS	% LUMINAIRE
0-30	777.9	20.6%
0-40	1,330.0	35.2%
0-60	2,663.4	70.5%
60-90	1,114.3	29.5%
0-90	3,777.6	99.8%

LUMENS PER ZONE

ZONE	LUMENS	% TOTAL
0-10	90.9	2.4%
10-20	265.4	7.0%
20-30	421.6	11.2%
30-40	552.1	14.6%
40-50	649.2	17.2%
50-60	684.2	18.1%
60-70	610.2	16.2%
70-80	390.8	10.3%
80-90	113.2	3.0%