

Project: _____

Type: _____

Model: _____

Features:

HOUSING MATERIALS	Die-casting dark grey powder coated aluminum. T=60-80 um. Adhesion of ISO class, 1.ASTM class 4B
FRONT COVER	Die-cast aluminum, powder coated.
LED	SMD3030
DIMMABLE	Yes*
J-BOX	ABS
WATER-TIGHT CABLE GLAND	IP67
OPERATING TEMPERATURE	-4°F to 113°F
POWER CABLE	H05RN-F 2X1.0mm ² L=0.5m (24 Volts)
FIXTURE IP/ IK Rating	IP65 Rated / IK10

FINISH OPTIONS

 Graphite
RAL7037

 Silver
RAL9006

 Bronze
RAL8019

 Black
RAL9005

 White
RAL9003


RSG


Example: RSG-0L30K-X-BK


Series	Lumens (CCT)			Voltage	Finish
RSG 3.3 Watts	0L20K 0L (2000K) 47 Lumens	0L30K 0L (3000K) 53 Lumens	0L40K 0L (4000K) 62 Lumens	X X = 24 Volts Requires remote 24V transformer. For dimming, refer to specs of transformer you are using.*	BK Black WH White GR Graphite SV Silver BZ Bronze

Enter configuration: _____

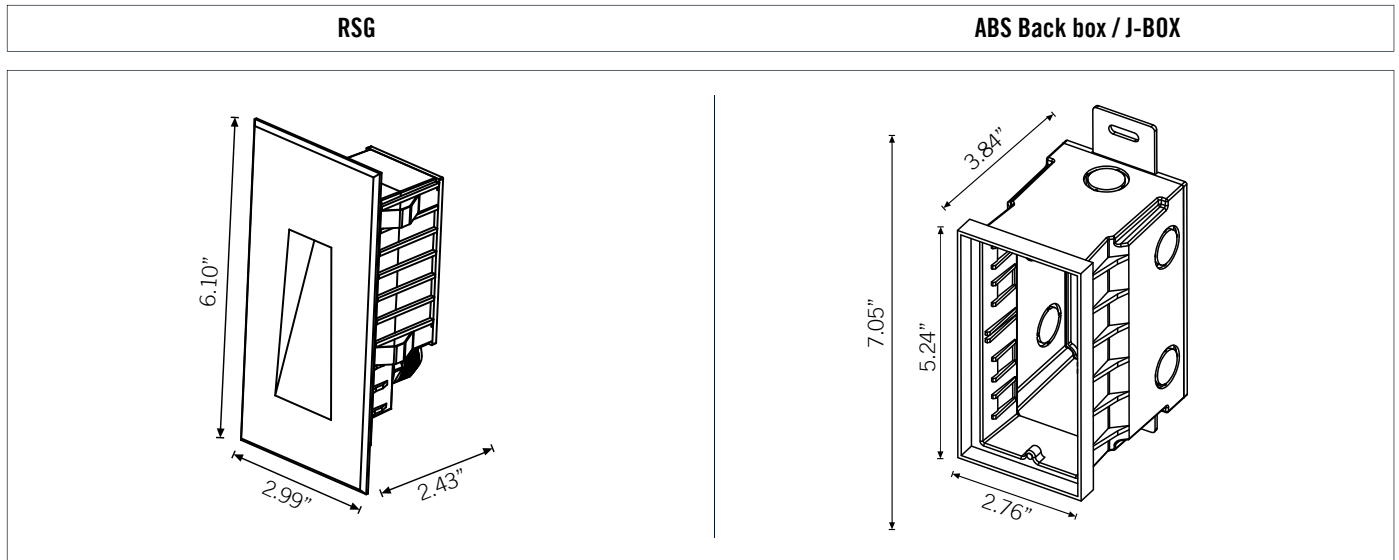
** Special Order

Dimensions and values shown are nominal. LuminosoLED continually works to improve products and reserves the right to make changes which may alter the performance or appearance of products.

PERFORMANCE DATA

Series	RSG
Power	3.3W (1x 3W)
Lumens	47 (20K) 53 (30K) 62 (50K)
IP Rating	IP65
Operating Temp.	-4°F to 104°F
Input	24V

DIMENSIONS



PHOTOMETRIC CURVES

