

Project:	Date
Type:	
Model:	

## DCOV Series Linear LED Light

CCT Selectable / 120V / 120-277V

### PRODUCT DESCRIPTION

The LuminosoDCOV Series is now CCT Selectable. The multi-function, linear fixture can be used in a wide range of applications. It can be used as a low profile fixture for general lighting or as a cove light to create a beautiful, evenly dispersed, ambient light. The DCOV series is available in 2, 3, and 4 foot lengths and the CCT can be adjusted to 3000K, 4000K, or 5000K color temperatures.

### FEATURES & BENEFITS

- Can be linked, seamless connection
- AC 120-277V (Dimmable available in 120V only)
- CCT Selectable 3000K, 4000K, and 5000K
- Life span exceeds 50,000 hrs



### ORDER INFORMATION

EXAMPLE: DCOV4-30W-CCTS-J-Y



Series	Wattage	CCT Selectable	Beam	Voltage
<b>DCOV2</b> 2FT Linear	<b>15W</b>	<b>Selectable Color Temperature</b> (3000K / 4000K / 5000K)	<b>J</b> 120°	<b>Y = 120-277V</b> <b>Z = 120V (Dimmable)**</b>
<b>DCOV3</b> 3FT Linear	<b>25W</b>			
<b>DCOV4</b> 4FT Linear	<b>30W</b>			

Enter configuration:

Special Order\*\*

Dimensions and values shown are nominal. LuminosoLED continually works to improve products and reserves the right to make changes which may alter the performance or appearance of products.

# DCOV Series Linear LED Light

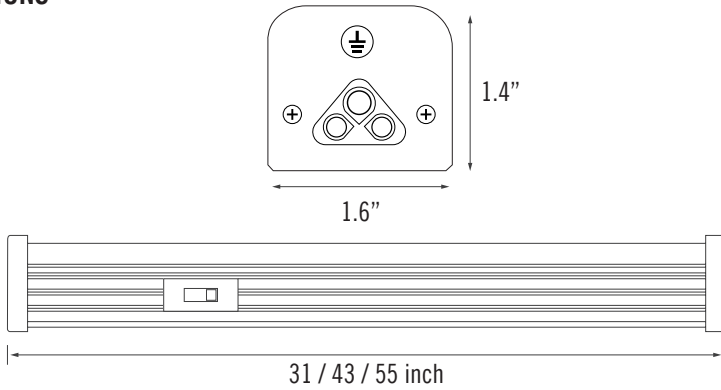
CCT Selectable / 120V / 120-277V



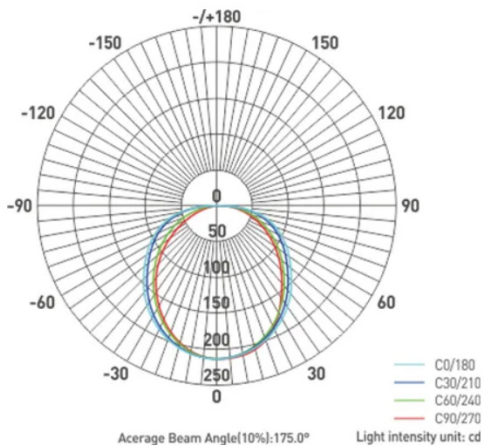
## PERFORMANCE DATA

				4000K(CRI80)	
WATTS	SIZE	LENS	VOLTAGE	LUMENS	LPW
15W	2FT	Frosted	120VAC 120-277VAC	1,650 - 1,800	110-120lm/W
25W	3FT			2,750 - 3,000	
30W	4FT			3,300 - 3,600	

## DIMENSIONS



## PHOTOMETRIC



### Standard Accessories:

