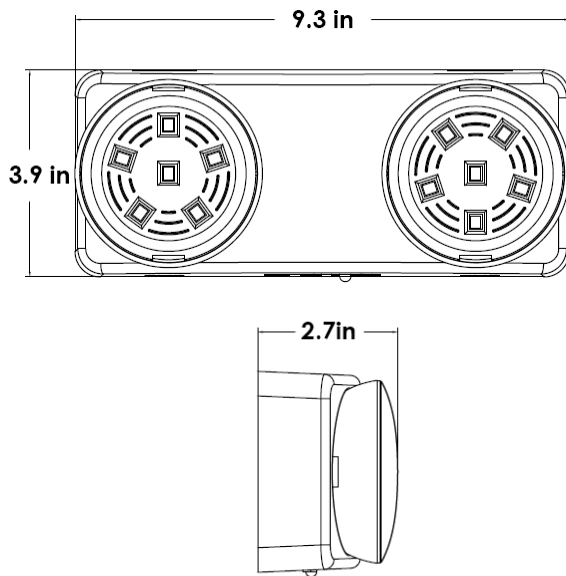


LED EMERGENCY LIGHT



2LT ROUND ADJUSTABLE HEADS

FEATURES:

- Injection-molded thermoplastic ABS housing
- UL-94V-0 flame rating, fire-retardant
- Wall amount
- Input Voltage: 120-277VAC 60Hz
- Standard LED 2x1.2W
- Nickel Cadmium Battery
- Test button and charge indicator light
- Backup time: ≥90minutes
- Conversion time: <0.2second
- IP Class: IP20
- Insulation: II, Range: 8m²
- Operating Temperature: 14°F to104°F
- Overcharge & Over-discharge protection
- Dimension: 3.9 x 3.9 x 2.7 IN

HOUSING

Injection-molded, engineering-grade, 5VA flame retardant, high-impact resistant, thermoplastic in white finish. Aesthetically pleasing, curved face, rounded corner design. Test switch provided.



MOUNTING

EZ-snap mounting canopy included for top or end mount. Universal K/O pattern on back plate for wall mount.

WARRANTY

5 year limited warranty on all electronics and housing. Battery pro-rated for five years.

EXAMPLE: LE-SPL-2R-W-N

Series	LED Light	Finish	Battery	Listings
LE-SPL	2R 2LT Round	W White	N Nickel-cadmium batteries	 

Enter configuration: _____

