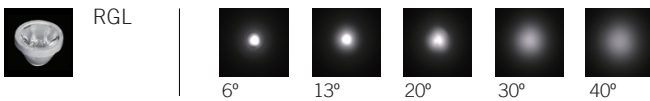
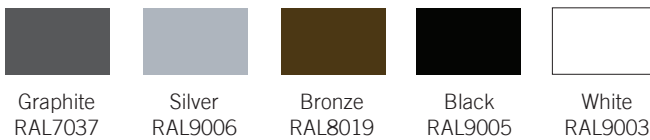


Project: _____
 Type: _____
 Model: _____

Features:

- HOUSING MATERIALS** | Coated aluminum, anodized powder coating.
T=60-80 um. Adhesion of ISO class, 1.ASTM class 4B
- GLASS LENS** | Tempered step glass. T=3mm
- DIMMABLE** | Not dimmable
- CABLE GLAND** | IP68
- GASKET** | Tooling shaped seal
- PCB** | Excellent heat conductivity aluminum.
- SPIKE** | ABS
- OPERATING TEMPERATURE** | -4°F to 113°F
- POWER CABLE** | H05RN-F 2X1.0mm² L=2.0m (low voltage)
- FIXTURE IP/ IK Rating** | IP66 Rated / IK02

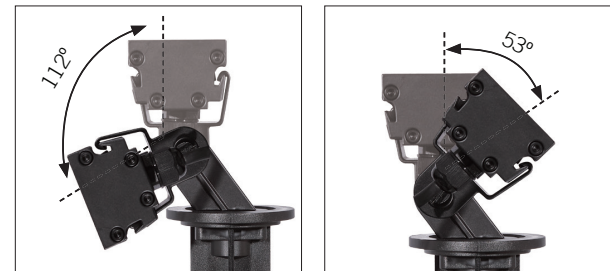
OPTICS

FINISH OPTIONS

Example: RGL-5L40K-D30-X-GR

Series	Lumens (CCT)			Beam Angle					Voltage	Finish
RGL 6 Watts	4L30K	5L40K	5L50K	D6	D13	D20	D30	D40	X X = 24 Volts Requires remote 24V transformer.	BK Black WH White GR Graphite SV Silver BZ Bronze
	4L (3000K) 460 Lumens	5L (4000K) 502 Lumens	5L (5000K) 530 Lumens	6°	13°	20°	30°	40°		

Enter configuration: _____
 ** Special Order



Adjustable

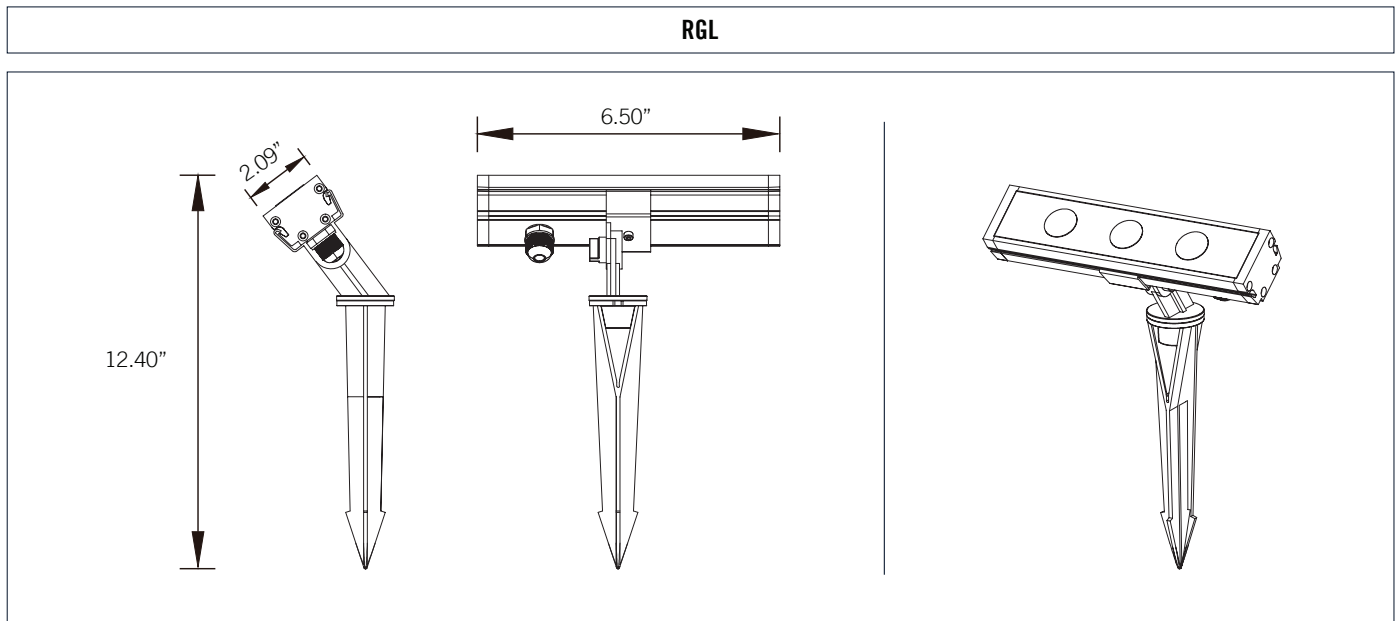


Dimensions and values shown are nominal. LuminosoLED continually works to improve products and reserves the right to make changes which may alter the performance or appearance of products.

PERFORMANCE DATA

Series	RGL
Power	6W
Lumens	460 (30K) 502 (40K) 530 (50K)
IP Rating	IP66
Operating Temp.	-4°F to 104°F
Input	24V

DIMENSIONS



PHOTOMETRIC CURVES

