

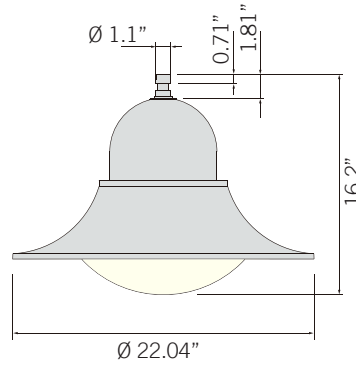
Post Top SWT

LED Post Top

Project: _____
 Type: _____
 Model: _____

Features:

- Body:** Die-casting aluminum.
- Optical system:** Anodized aluminum reflector and flat or lenticular tempered glass cover.
- Output Power:** 20W / 30W / 40W / 60W / 80W
- CCT:** 3000K / 4000K / 5000K
- Input Power:** 120VAC / 120-277VAC
- IP Rating:** IP66
- Impact resistance:** IK08



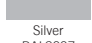


Performance:

Series	Wattage	Lumens	CCT	Efficacy	LED Pcs.	Frequency	N.W. (Lb)	G.W. (Lb)
SWT	20W	1,780	3000K	90	12	50/60Hz	11.5	13.5
	30W	3,450		115	12			
	40W	4,760	4000K	119	24		12.8	14.9
	60W	6,900	5000K	115	36			
	80W	9,000	113	36				



Example: SWT-16-60W-40K-5M-Y-BK

Series	Mount	Wattage	CCT	Optics	Voltage	Finish
SWT LED Post Top	16 16 = Slip fitter	20W 20 Watts 30W 30 Watts 40W 40 Watts 60W 60 Watts 80W 80 Watts	30K 3000K 40K 4000K 50K 5000K	2M Type 2 3M Type 3 4M Type 4 5M Type 5	Y Y=120-277 Volts	BK Black  Black RAL9005 WH White  White RAL9010 SV Silver  Silver RAL9007

Enter configuration: _____

** Special Order

