

AC Volt		5RV
Eq. Volt		
Supply		

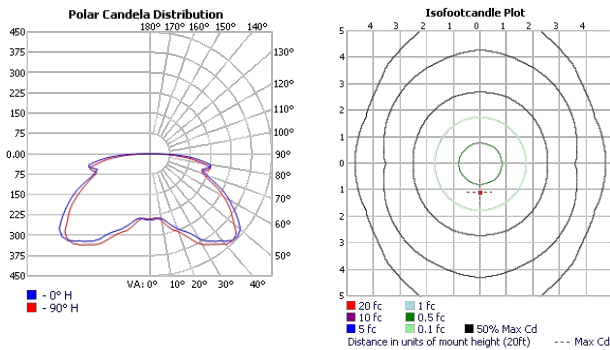
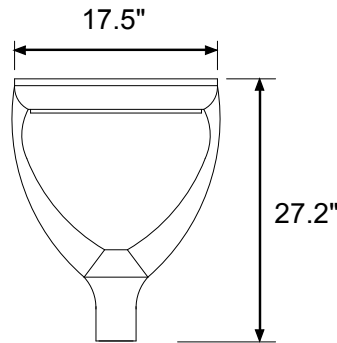
LSP-A Series Solar LED Post Top

PRODUCT DESCRIPTION

- High brightness LED, 14W
- 18Ah 12.8V LITHIUM LIFE04 battery, with fast charging, working temperature 5°F to 149°F.
- 33 Watt Monocrystalline Solar Panel, Grade-A solar cells.
- INTERPON AKZONOBEL coating.
- 5 Years warranty.

PERFORMANCE SUMMARY

Delivered light output: 1,800 Lumens
Power: 14 Watts
CCT: 3000K, 4000K, 5000K
Standard Life: Designed to L70 minimum 50,000 hours
IP Rating: IP65
Charging: 6 hours / Day, direct sun light
Aonomy: 23 hours
PHILIPS LUXEON Module



ORDER INFORMATION

EXAMPLE: LSP-A-14W-SP-40K-5M-16-BK-4MTR



Series	Size	Watts	Voltage	CCT	Optics	Mount	Finish
LSP	A	14W	SP=Solar Power	30K = 3000K 40K = 4000K 50K = 5000K	5M	16 = Slip Fitter	BK = Black

Enter configuration:

** Special Order / Contact factory

