

Project: _____

Type: _____

Model: _____

PRODUCT SPECIFICATIONS

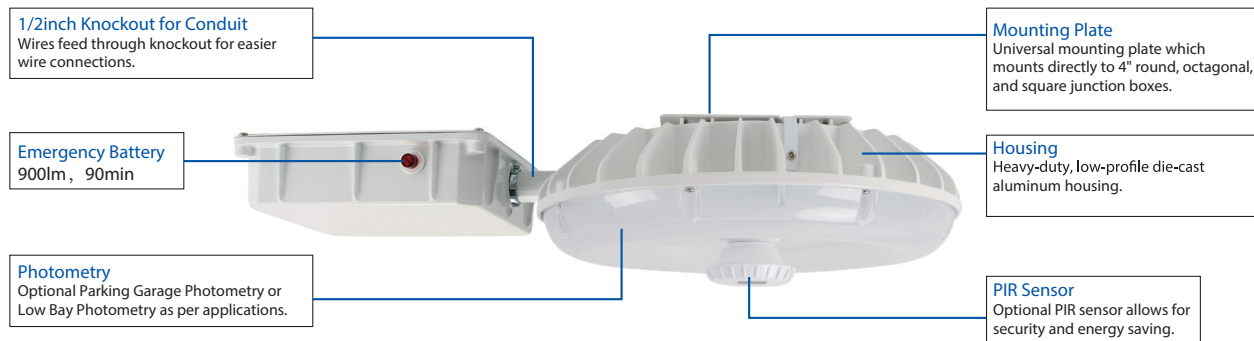
- Sealed die-casting profile for indoor and outdoor applications.
- Voltage is 120-277V.
- Lumen output from 3,500-11,600lm with efficacy up to 129lm/W.
- Optional Parking Garage Photometry or Low Bay Photometry as per applications.
- Increase energy saving with bi-level Motion sensor.
- Replacing 100W MH and 175W MH.
- Operating temperature is -40°F to 113°F
- UL and DLC premium qualified.
- 0-10V Dimming optional.



30W / 45W / 60W



90W



ORDER INFORMATION

EXAMPLE: ECPR2-14-45W-40K-PG-Y-BZ



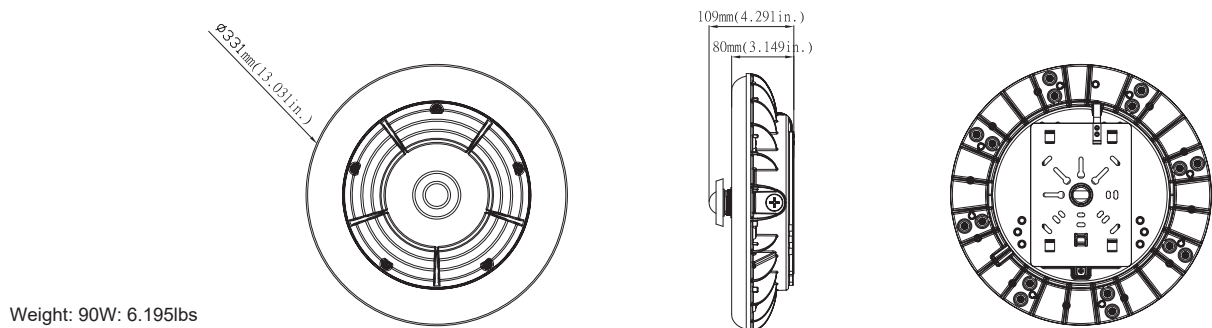
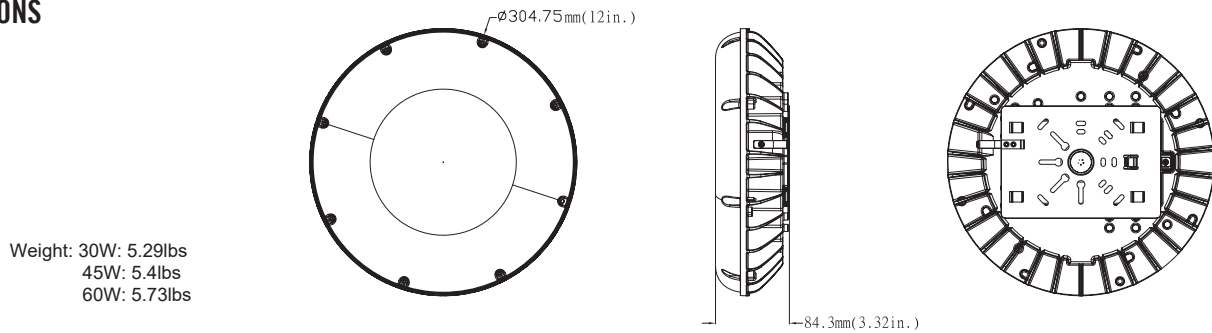
Series	Mount	Wattage	CCT	Optics	Voltage	Finish	Motion Sensor	Emergency Back-up	Dimmable Option
ECPR2 Canopy	14 Surface Mount	30W	40K	PG	Y	BZ Bronze	Blank w/o Motion	Blank w/o Battery Backup	Blank Non Dimmable
		45W	50K	LB					
		60W	5000K	Low Bay (Not available for 90W)					
		90W							
							MS Motion Sensor	EB Emergency Battery Backup (Not DLC w/ EB)	DIM Dimmable

Enter configuration: _____

PERFORMANCE DATA

			4000K (80CRI)		5000K (80CRI)	
SYSTEM WATTS	PHOTOMETRY	VOLTAGE	LUMENS	LPW	LUMENS	LPW
30W	Parking Garage	120-277VAC	3,500lm	117lm/W	3,600lm	120lm/W
	Low Bay	120-277VAC	3,800lm	127lm/W	3,800lm	127lm/W
45W	Parking Garage	120-277VAC	4,900lm	109lm/W	5,000lm	111lm/W
	Low Bay	120-277VAC	5,500lm	122lm/W	5,500lm	122lm/W
60W	Parking Garage	120-277VAC	7,000lm	117lm/W	7,100lm	118lm/W
	Low Bay	120-277VAC	7,600lm	127lm/W	7,600lm	127lm/W
90W	Parking Garage	120-277VAC	11,400lm	127lm/W	11,600lm	129lm/W

DIMENSIONS



PHOTOMETRY

