

Project: \_\_\_\_\_  
 Type: \_\_\_\_\_  
 Model: \_\_\_\_\_

**Features:**

- HOUSING MATERIALS** | Coated aluminum, anodized powder coating.  
T=60-80 um. Adhesion of ISO class, 1.ASTM class 4B
- GLASS LENS** | Tempered step glass. T=4mm
- DIMMABLE** | Not dimmable
- CABLE GLAND** | Nickel coated copper
- GASKET** | Tooling shaped seal
- PCB** | Excellent heat conductivity aluminum.
- SPIKE** | ABS
- OPERATING TEMPERATURE** | -4°F to 113°F
- POWER CABLE** | H05RN-F 2X1.0mm<sup>2</sup> L=2.0m (low voltage)
- FIXTURE IP/ IK Rating** | IP66 Rated / IK07

**OPTICS**



**FINISH OPTIONS**



Example: RGG-9L50K-D45-X-GR



Series	Lumens (CCT)			Beam Angle		Voltage	Finish
<b>RGG</b> 9.8 Watts	<b>7L20K</b> 7L (2000K) 790 Lumens	<b>8L30K</b> 8L (3000K) 862 Lumens	<b>9L50K</b> 9L (5000K) 960 Lumens	<b>D30</b> 30°	<b>D45</b> 45°	<b>X</b> X = 24 Volts  Requires remote 24V transformer.	<b>BK</b> Black <b>WH</b> White <b>GR</b> Graphite <b>SV</b> Silver <b>BZ</b> Bronze

Enter configuration: \_\_\_\_\_

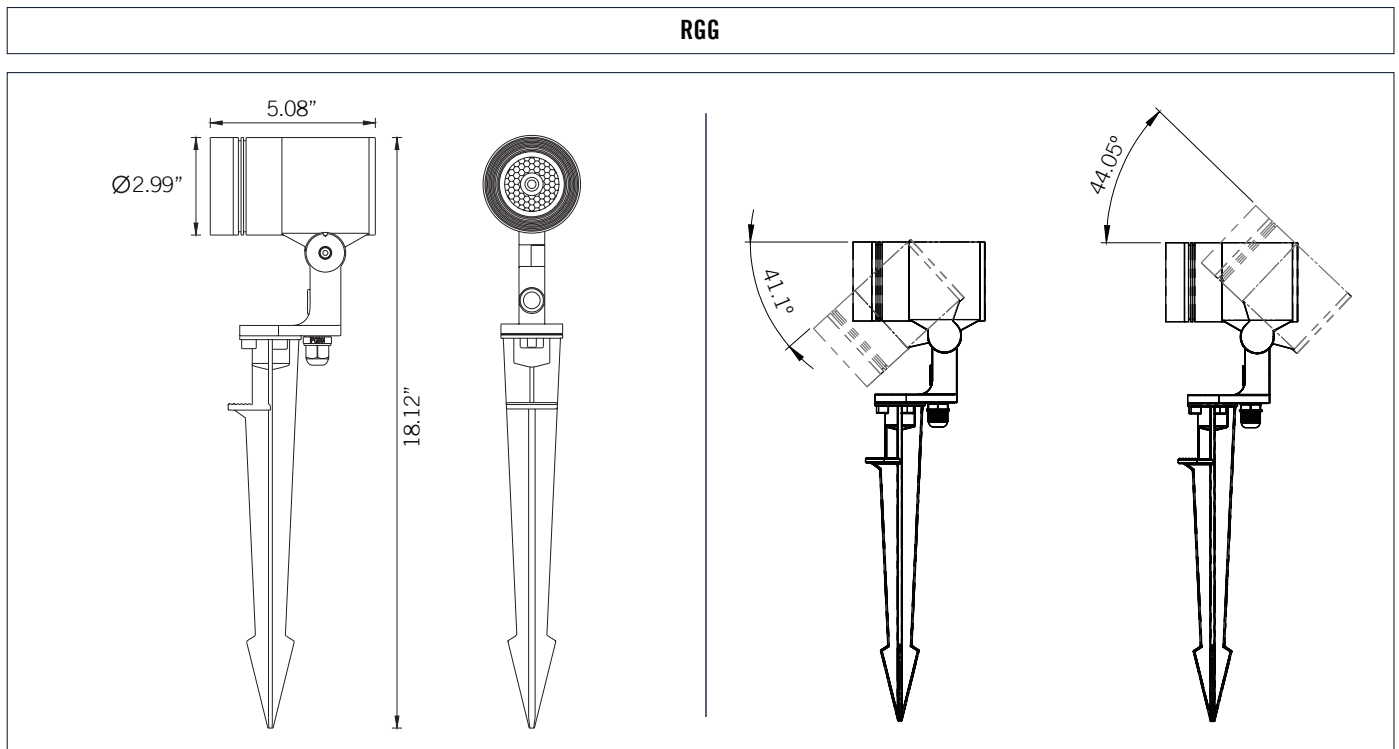
\*\* Special Order

Dimensions and values shown are nominal. LuminosoLED continually works to improve products and reserves the right to make changes which may alter the performance or appearance of products.

## PERFORMANCE DATA

Series	RGG
Power	9.8W
Lumens	790 (20K) 862 (30K) 960 (50K)
IP Rating	IP66
Operating Temp.	-4°F to 104°F
Input	24V

## DIMENSIONS



## PHOTOMETRIC CURVES

