

Presenting the LX Series Level 2 EV Smart Charger: a 48 / 80 Amp, 240V. Designed for homes, condos, and commercial spaces, it ensures speedy charging for most EVs. Equipped with WiFi (4G available), it allows remote access. Install it indoors or outdoors with its 16-foot cable for added convenience.




KEY FEATURES

- **Swift Charging Solution:** The LX Series offers rapid charging for residential and commercial locations, adding up to 55 miles per hour of charging.
- **Professional Installation:** Designed for HARDWIRED setup by certified electricians, especially recommended for secure outdoor installation.
- **Ample Cable Length:** Equipped with a 16-foot cable, it suits most garages and nearby parking spaces. Optional 25ft cable available.
- **Universal Compatibility:** The LX Series connector is universally compatible with all EVs, including Teslas using J1772 adapters.
- **Cost-Effective Charging:** Optimize savings by charging during off-peak hours, adding over 200 miles of range cost-effectively overnight. Check with your local power provider.
- **All-Weather Durability:** With a robust NEMA 3R rated all-weather enclosure, the LX Series functions flawlessly indoors and outdoors year-round.
- **Safety Assurance:** The LX Series adheres to the highest safety standards, boasting UL certification for your peace of mind.
- **Warranty Included:** Enjoy worry-free ownership with our 2 Year Limited Manufacturer Warranty. Option for up to 5 years available.

For information on the optional charging pedestal, please refer to page 3, the accessory section.

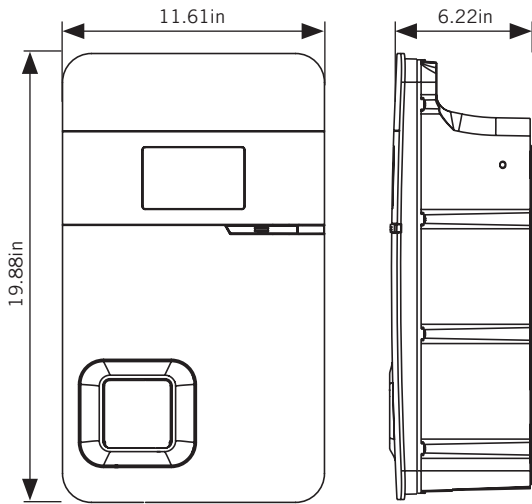


SPECIFICATIONS

Model	LX48 Series		LX80 Series		
					
Power Specification					
AC Input	Input Rating	Single-Phase: 200~240VAC			
	AC Input Connection	L1/L2/GND or L/N/PE	TN, TT		
	Input Current	48A	80A		
	Frequency	50Hz / 60Hz			
AC Output	Output Current	48A	80A max (with AC breaker capacity selection)		
	Output Power	11.5kW (240VAC*48A)	19.2kW (240VAC*80A)		
User Interface & Control					
Display	LED Pilot Lamp (standard), 5-inch LCD (Optional)				
User Authentication	RFID, Smart Phone App, QR Code and Optional Third Party Payment System				
Meter	Meter IC (1% Accuracy)				
Communication					
External	Ethernet + Wi-Fi (IEEE 802.11 b/g/n) (standard) / Ethernet + Wi-Fi (IEEE 802.11 b/g/n) + 4G (optional)				
Internal	OCPP 1.6 JSON (Upgradeable to 2.0) EEBUS (Support in 2022)				
Environmental					
Operating Temperature	-22°F~122°F (-30°C to +50°C) Standard				
Humidity	< 85% (RH) @122°F (50°C)				
Altitude	≤6562ft (2000m)				
Enclosure Protection (IK/IP Level)	NEMA TYPE 4/IK08				
Cooling Method	Natural Cooling				
Mechanical					
Dimension (WxDxH)	11.61in x 6.22in x 19.88in				
Weight	22lbs (10kg)	29lbs (13kg)			
Cable Length	16.4ft (5m) or 25ft (7.5m) with Optional Cable Management				
Protection					
RCD/CCID	CCID 20				
Input Side	UVP, OVP, Surge Protection, Ground Fault				
Output Side	OCP, Control Pilot Fault, Residual Current Protection				
Protocol	OTP, Relay Welding Detection, CCID Self-Test, MCU Function Fault Detection				
Regulation					
Certification	UL2594, UL2231-1/-2, Energy Star, CTEP, NTEP (NIST Handbook 44)				
Wireless Certification	FCC/IC				
Charging Interface	SAEJ1772 Type 1 Plug				

Dimensions and values shown are nominal. LuminosoLED INC continually works to improve products and reserves the right to make changes which may alter the performance or appearance of products.

DIMENSIONS



PEDESTAL STATIONS



| 12.9 x 8.3 x 88.6 inch
| 25ft (7.5m) Cable Management.



| 12.9 x 8.3 x 59.1 inch
| 16.4ft (5m) Cable.



WHO WE ARE

AmpUp is an electric vehicle (EV) software company and network provider that enables drivers, charging station site hosts, and fleets to charge stress-free. Our technology gives businesses and fleets the ability to efficiently manage multiple charge stations and locations in one platform.



- MULTI-SITE MANAGEMENT
- SMART SCHEDULING
- REAL-TIME ANALYTICS
- CREATE USER GROUPS
- ADVANCED ACCESS CONTROL
- RFID ACCESS
- POWER LOAD MANAGEMENT
- TIERED PRICING
- AUTOMATED REPORTING

Our Customers



AmpUp App

FOR EV DRIVERS BY EV DRIVERS

Download AmpUp App and improve your electric vehicle charging experience. Gain access to the largest shared EV charging network.

