

Project:	
Type:	
Model#	

LMR Series 50W 2x4 LED Troffer

PRODUCT DESCRIPTION

The LMR24 LED troffer delivers exceptional 80+ CRI light while achieving 106 lumens per watt. It is available in 3500K, 4000K and 5000K CCT options with 0-10V dimming capabilities, which makes it ideal for new construction applications or retrofitting existing fluorescent troffer fixtures with recessed installation. This versatile product covers a widespread list of applications ranging from office spaces, major retail stores, and educational settings to government, healthcare, and hospitality locations.

PERFORMANCE SUMMARY

Efficacy: 106 Lm/W
Delivered Lumens: 5,210 (35K) / 5,250 (40K) / 5,300 (50K) Lumens
Power: 50 Watts
CRI: Ra>80
CCT Options: 3500K, 4000K, 5000K
Input Voltage: 100-277 VAC
Input current: 0.4 - 0.16A
THD:<20%
Standard Warranty: 5 Year Warranty
Standard Lifetime: Designed to L70 minimum 50,000 hours
Installation Options: Recessed
Sign Current: 0.04-0.37 MA
Dimmable: 0-10V
Dimensions: 47.8"L x 23.17"W x 2.7"H



REGULATORY & VOLUNTARY QUALIFICATIONS

ETL Listed	Yes
LM80 SMD	Yes

Recommend Dimmer:

Leviton cat, Nos:	Lutron cat, Nos:
AWRMG-7XX	AWSMG-7XX
AWSMT-7XX	IP710-LFZ/DLX
www.leviton.com	DIVA-DVTV
	NOVA-NVTV
	NOVAT-NTFTV W/PP20
	www.lutron.com/en-US

ORDER INFORMATION

EXAMPLE: LMR24-18-50W-50K-J-Y

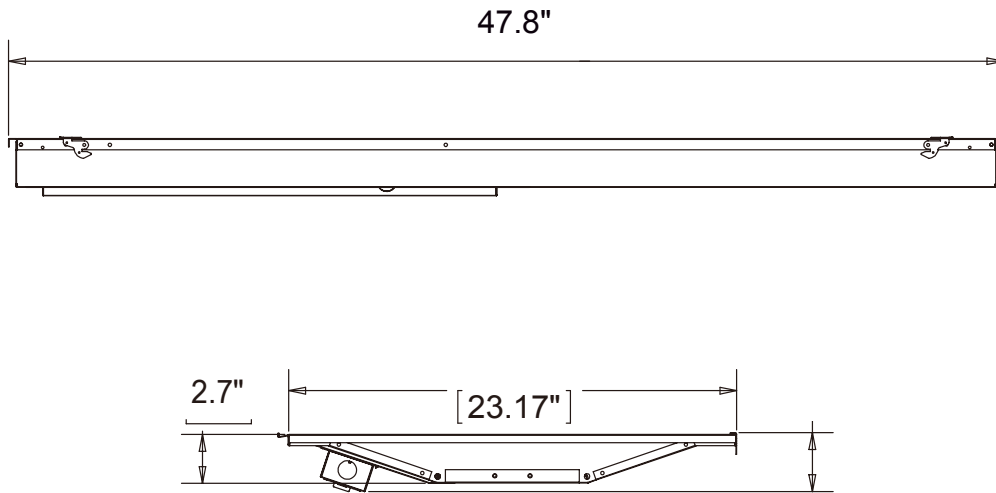


Series	Mount	Wattage	CCT	Beam	Voltage	Accessories
LMR24	18 = Lay In	50W	35K = 3500K 40K = 4000K 50K = 5000K	J = 120°	Y=120-277V	Leave Blank = Standard EB = Emergency Battery Back up

Enter configuration:

** Special Order / contact vendor

Dimensions



PHOTOMETRY

Fixture photometry has been conducted in accredited testing laboratory in accordance with IESNA LM-79-08.

