

Project		Date
Type		
Model		

## FLM2 Series LED Floodlight

### Features

- Housing, electrical compartment and fitter are all made from die case aluminum that is pre-treated and powder-coated to meet the most rugged industry standards.
- Door frame features an integral accessory channel for the mounting of optional light control accessories.
- Vented housing isolates LED module from driver, maximizing product life and performance
- Door frame seals to housing with a continuous extruded silicone gasket.

### Optics

- Optics(NEMA Type): 7H\*6V and 44° available.
- Scalable Lumen Packages from 1,950 to 26,000 Lumens.
- Provides the best combination of vertical and horizontal illumination while reducing light behind the poles. High performance acrylic optic securely attached to internal heat sink for maximum thermal dissipation.

### Electrical

- Universal 120-277 VAC or 347-480 VAC input voltage.
- Both drivers have a power factor >90%, THD <20%.
- 15W-60W non-dimmable / 70W, 100W, 135W, 200W Dimmable.

### Lifespan

- Estimated 80,000-hour LED lifespan based on IES LM-80 results and TM-21 calculations.

### Warranty

- Five year warranty.



15W / 27W



45W / 60W



70W / 90W / 100W



135W / 200W

### ACCESSORIES

#### Photocell

No. PC-120-277V

USE: Photocell is field installed or pre-installed in factory by selecting PC.



### ORDER INFORMATION

EXAMPLE: FLM2-100W-Y-40K-BZ-D76-YK



Series	Wattage	Voltage	CCT	Finish	Photocontrol	Distribution	Mount
FLM2	15W 27W 45W 60W	Y = 120-277V HV = 347-480V [60W available.]	30K = 3000K 40K = 4000K 50K = 5000K	BZ = Bronze BK = Black** WH = White**	Blank = None	D76=NEMA 7Hx6V (Very Wide)	SB = Swivel Bracket TR = Trunnion [Swivel & Trunnion option are for 15W, 27W, 45W, 60W]
	70W 90W* 100W 135W 200W	Y = 120-277V [90W Not available] HV = 347-480V			PC = Photocell 120-277V	D44=NEMA 4Hx4V (Narrow Flood) only suitable for 135W, & 200W	SF = Slipfitter YK = Yoke [Slipfitter & Yoke option are for 70W, 90W, 100W, 135W, 200W]

Enter configuration:

\*\* Special Order \* 90 Watt is only available in 347-480 Volts

NOTE: 15W,27W,45W,60W Not dimmable.

NOTE: 4HX4V only suitable for 135W, 200W

**PERFORMANCE DATA**

SYSTEM WATTS	VOLTAGE	DIST. TYPE	CRI	LUMENS (3000K)	LPW (3000K)	LUMENS (4000K)	LPW (4000K)	LUMENS (5000K)	LPW (5000K)
15W	120-277V	7Hx6V	70	1,950lm	130 lm/W	2,000lm	133 lm/W	2,000lm	133 lm/W
27W	120-277V	7Hx6V	70	3,500lm	130 lm/W	3,600lm	133 lm/W	3,600lm	133 lm/W
45W	120-277V	7Hx6V	70	5,550lm	123 lm/W	5,650lm	126 lm/W	5,650lm	126 lm/W
60W	120-277V	7Hx6V	70	7,250lm	121 lm/W	7,450lm	124 lm/W	7,450lm	124 lm/W
60W	347-480V	7Hx6V	70	7,500lm	125 lm/W	7,600lm	127 lm/W	7,600lm	127 lm/W
70W	120-277V	7Hx6V	70	8,700lm	124 lm/W	8,900lm	127 lm/W	8,900lm	127 lm/W
70W	347-480V	7Hx6V	70	9,100lm	130 lm/W	9,300lm	133 lm/W	9,300lm	133 lm/W
90W	347-480V	7Hx6V	70	12,000lm	133 lm/W	12,400lm	138 lm/W	12,400lm	138 lm/W
100W	120-277V	7Hx6V	70	13,100lm	131 lm/W	13,300lm	133 lm/W	13,300lm	133 lm/W
135W	120-277V/347-480V	7Hx6V	70	17,100lm	127 lm/W	17,500lm	130 lm/W	17,800lm	132 lm/W
200W	120-277V/347-480V	7Hx6V	70	24,600lm	123 lm/W	25,600lm	128 lm/W	26,000lm	130 lm/W

**ELECTRICAL DATA**

Number Of Drivers	Driver Current (mA)	Nominal Power (W)	INPUT VOLTAGE (V)	CURRENT (Amps)
1	250	15	120	0.13
		15	208	0.07
		15	240	0.06
		15	277	0.05
1	430	27	120	0.23
		27	208	0.13
		27	240	0.11
		27	277	0.10
1	770	45	120	0.38
		45	208	0.22
		45	240	0.19
		45	277	0.16
1	920	60	120	0.50
		60	208	0.29
		60	240	0.25
		60	277	0.22
1	1600	60	347	0.17
		60	480	0.13
		70	120	0.58
1	1750	70	208	0.34
		70	240	0.29
		70	277	0.25
		70	347	0.20
1	1850	70	480	0.15
		100	120	0.83
		100	208	0.48
1	2600	100	240	0.42
		100	277	0.36
		90	347	0.26
		90	480	0.19
2	2400	135	120	1.13
		135	208	0.65
		135	240	0.56
		135	277	0.49
		135	347	0.39
		135	480	0.28
2	3500	200	120	1.67
		200	208	0.96
		200	240	0.83
		200	277	0.72
		200	347	0.58
		200	480	0.42

**Dimensions:**

**Mounting:**

1/2" Swivel Bracket (15W/27W/45W/60W)



Trunnion Mount (15W/27W/45W/60W)

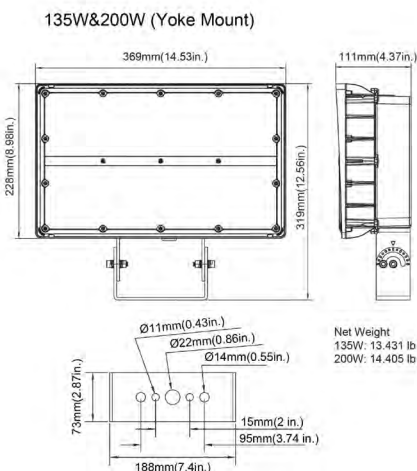
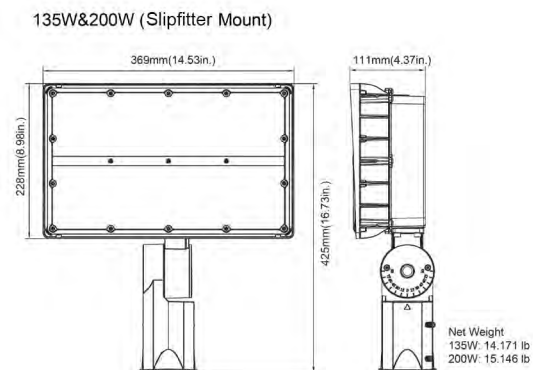
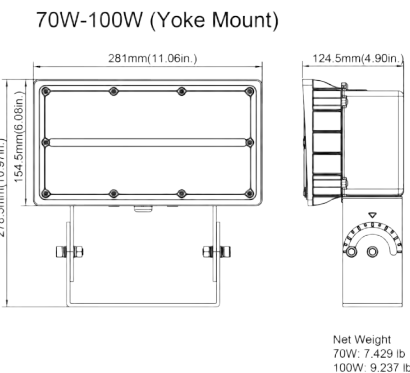
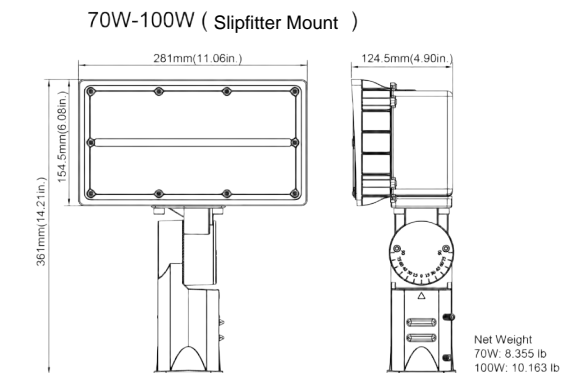
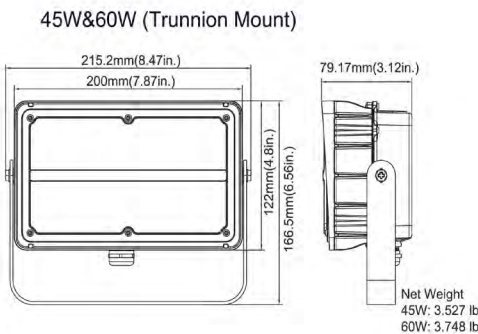
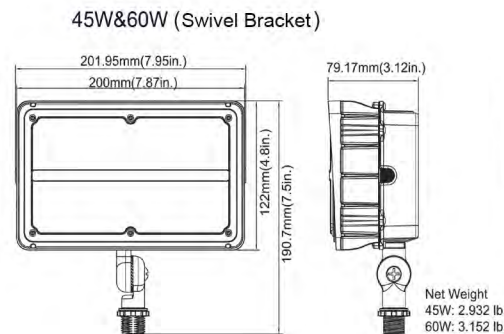
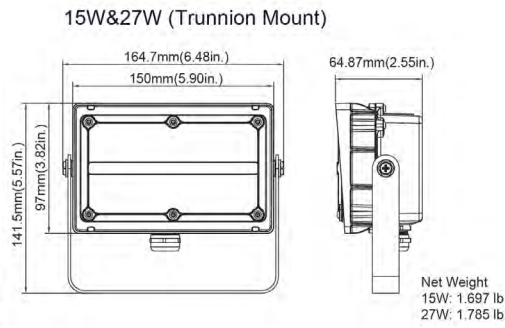
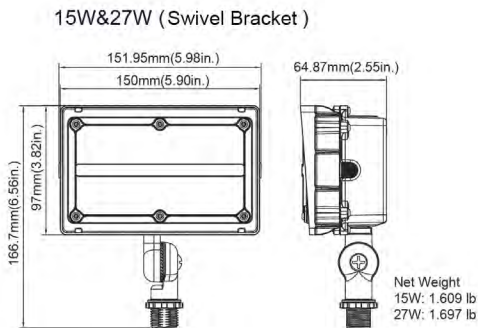


**Mounting:**

Slipfitter Mount(70W/90W/100W/135W/200W)



Yoke Mount(70W/90W/100W/135W/200W)



EPA

Item							
	1	2 @90°	2 @120°	2@180°	3 @90°	3 @120°	4 @90°
70W/100W	0.2885	0.6097	0.7475	0.577	0.8982	0.8196	0.8982
135W/200W	0.3868	0.8125	0.9973	0.7736	1.1993	1.0874	1.1993
250W/350W	0.536	1.061	1.278	1.072	1.597	1.803	1.597

Luminous Intensity Distribution

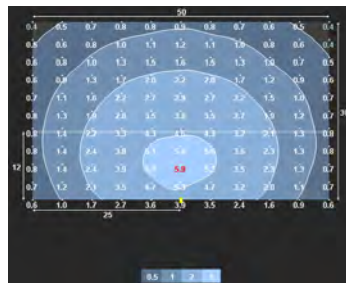
15W



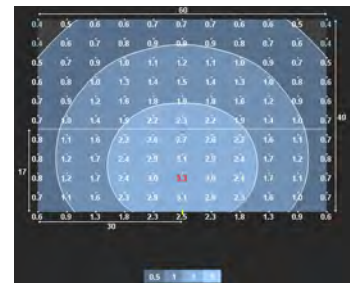
27W



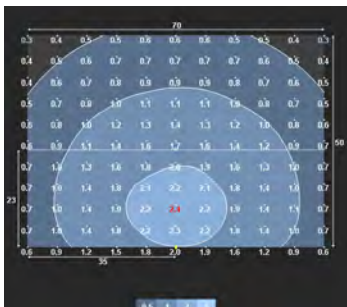
45W



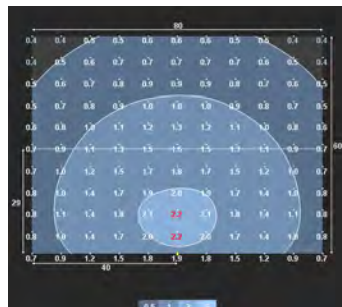
60W



70W



100W



135W



200W

