



Introducing our latest pendant designs featuring a diverse range of architectural cylinders that bring a sense of rhythm, beauty, and creativity to any ceiling space. With their captivating aesthetics and gentle, evenly distributed illumination, our collection of Architectural Performance luminaires allows you to elevate modern interiors, including offices, restaurants, hotels, and luxurious residential projects. Experience the seamless blend of style and functionality as you enhance your space with these visually alluring pendant options.

Our exceptional pendant lighting designs open up endless possibilities for commercial and residential applications, offering modular lighting solutions with a range of sizes, beam options, and a standard configuration of high visual comfort COB LED. Whether in pendant or surface mount configurations, these luminaires provide a stunning and sleek solution that enhances any space with its elegant and slender design.

**Feature**

- Embrace the versatility of our modular design.
- COB LED chip options: standard 80+ or optional 90+ CRI for enhanced performance.
- Dimming options: 0-10V with standard 10% dimming, optional 1%, or optional TRIAC dimming.
- Tailor the lighting to your needs with beam angle options of 15°, 24°, 36°, or 60°.
- Light engine available in 4", 6", and 8".
- Pendant mount.
- Wattage selection allows for further customization based on your requirements.

**Performance**

Dimension	Wattage Selectable	Efficacy	Lumens
4"	25W / 20W / 15W	95 lm/W	1140 - 2350lm
6"	40W / 30W / 20W	105 lm/W	2100 - 4200lm
8"	60W / 48W / 36W	90 lm/W	2610 - 5220lm

\*Above apply to 3000K, 80+ CRI values only. Check the IES file to gain the other accurate data.



## LCP Pendant / Cylinder Pendants / (Selectable Wattage)

### Optics

Experience the cutting-edge technology of our advanced lighting solution, driven by a high-efficiency COB LED chip. With an array of versatile beam spread options including 15°, 24°, 36°, and 60°, our fixtures offer precise control over the direction and distribution of light. What sets our product apart is the convenience of interchangeable cylinder beam spreads, allowing effortless swapping in the field without the need for additional tools. Stay in control of your lighting experience with our innovative and adaptable solution.



### Finish

Our fixtures are made of rigid die-cast aluminum and feature a standard powder-coated polyester paint finish in white or black.

### LED System

COB	COB LED with a 80+ CRI is standard. 90 CRI is also available upon request by consulting the factory. They have been tested in accordance with IESNA LM-80 and the results have shown L80 lumen maintenance greater than 50,000 hours.
CCT	2700K, 3000K, 3500K and 4000K available.
Thermal Management	The lifespan of our product is maximized by our aluminum housing, which serves as an effective heat sink for optimal heat dissipation.

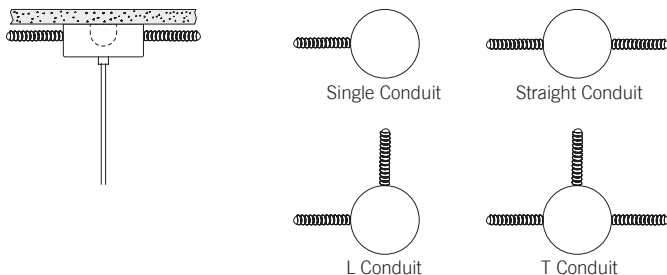
### Listings

- cULus listed for damp locations
- 5 years limited warranty

**NOTE:**

- Ensure optimal performance by maintaining ambient temperatures below 104°F during regular operation at the fixture location.
- For indoor use only

### Conduit Knockout Canopy



### Electrical

LED Driver	Equipped with a Class 2 high-efficiency LED driver, featuring a standard 0-10V dimming functionality that smoothly dims down to 10%. This dimming capability is compatible with a wide range of control systems, including: Lutron® Diva-DTV, Leviton® IP-710-DL.  TRIAC dimming is also offered as an option, dimming down to 1%. Consult Vendor.
THD	<20%
Power Factor	>0.9
Input Voltage	Standard electronic drivers are cULus recognized and available for 110-277V.

### Mounting

**Cable Mount**

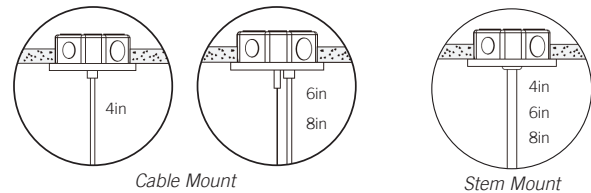
White or black cables, provided in specified lengths of 2', 4', or 8' (nominal). Installers have the flexibility to cut the cable in the field to achieve their desired length during installation.

**NOTE:**

- For 4", Single white or black outer jacket wraps wires.
- For 6" and 8", the cable and aircraft cable are visible.

**Stem Mount**

We supply a Ø12/25" steel stem in the length specified (2' nominal, 4' nominal, or 8' nominal), available in either a white or black finish.



### Canopy Options

**Standard Canopy for Recessed J-box:**

For recessed J-boxes (3" octagon, 4" octagon, or 4" round), we provide a 4.5" round flat canopy. Choose between a white or black powder-coat painted finish for easy mounting to the J-box.

**Canopy with Knockouts for Surfaced and or Pancake J-box:**

When using a surface-mounted or Pancake 4" J-box, we offer a Ø5.97" round canopy that is 2.38" deep with a conduit cutout for easy installation. The canopy features four key slots, one on each side, allowing seamless configuration to fit any ceiling layout using 1/2" or 3/8" conduit. You can choose from a white or a black powder coat painted finish for the conduit cutout canopy, ensuring a sleek and adaptable solution for your mounting needs.

### Optional Emergency Battery Backup

We offer an optional emergency Battery Backup, EMBI. In the event of an AC power failure, it promptly switches to the emergency mode, providing illumination for up to 120 minutes. Once AC power is restored, it automatically returns to the charging mode, ensuring compliance with critical life-safety lighting requirements. For more information please don't hesitate to contact us.

## LCP Pendant / Cylinder Pendants / (Selectable Wattage)

Project: \_\_\_\_\_  
 Type: \_\_\_\_\_  
 Model: \_\_\_\_\_

### Ordering Chart

Example: LCP-6-35K-Y-M-80-TR-SP-C8-BK-RG

Series	Size (Selectable Wattage)	CCT	Voltage	Beam Options	CRI Options	Dimming Options	Mounting Options	Pendant Accessories	Finish	Trim Options
LCP Cylinder Pendant	<b>4</b> 4in (25W / 20W / 15W)	<b>27K</b> 2700K	<b>Y</b> 120-277V	<b>N</b> Narrow Beam 15°	<b>80</b> 80+ CRI (Standard)	<b>10</b> 0-10V Dims to 10%	<b>SP</b> Pendant With Standard Canopy Style For Recessed J-Box	<b>Cable Mount</b> <b>C2</b> 2' Nominal Length <b>C4</b> 4' Nominal Length <b>C8</b> 8' Nominal Length	<b>WH</b> White <b>BK</b> Black	<b>Reflector Color</b> <b>RW</b> White <b>RB</b> Black <b>RG</b> Gold <b>RC</b> Chrome
	<b>6</b> 6in (40W / 30W / 20W)	<b>30K</b> 3000K		<b>M</b> Medium Beam 24°						
<b>8</b> 8in (60W / 48W / 36W)	<b>35K</b> 3500K <b>40K</b> 4000K	<b>W</b> Wide Beam 36°	<b>TRIAC</b> <b>TR</b> TRIAC Dimming	<b>Stem Mount</b> <b>S2</b> 2' Nominal Length <b>S4</b> 4' Nominal Length <b>S8</b> 8' Nominal Length						
		<b>F</b> Flood Beam 60°								

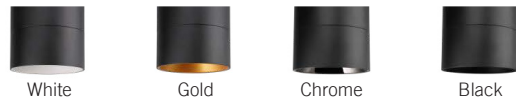
### Mounting Options



### White Finish / Reflector



### Black Finish / Reflector



Dimensions and values shown are nominal. LuminosoLED continually works to improve products and reserves the right to make changes which may alter the performance or appearance of products.

### Battery Backup Options



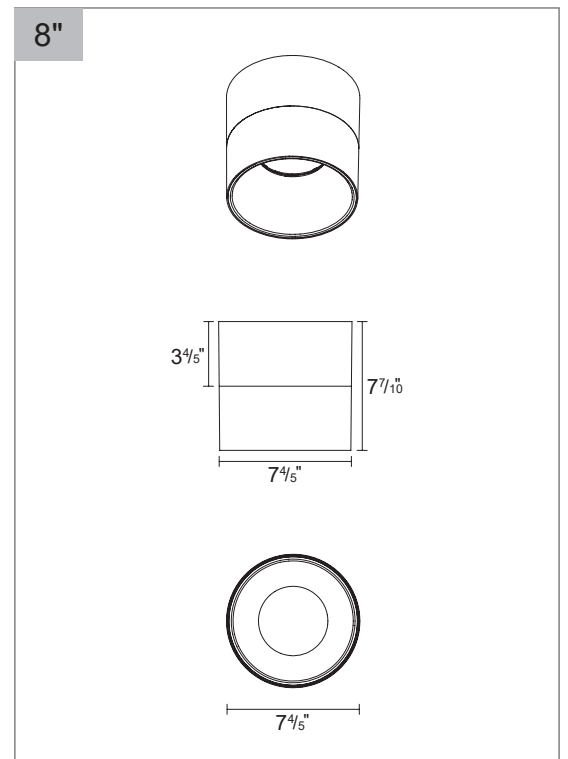
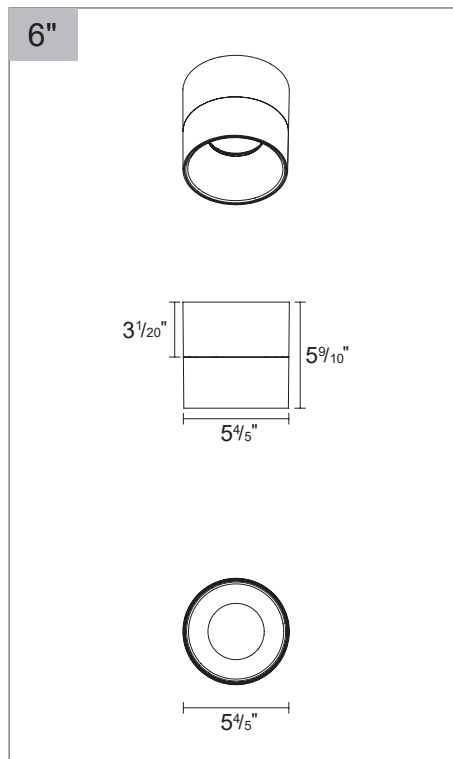
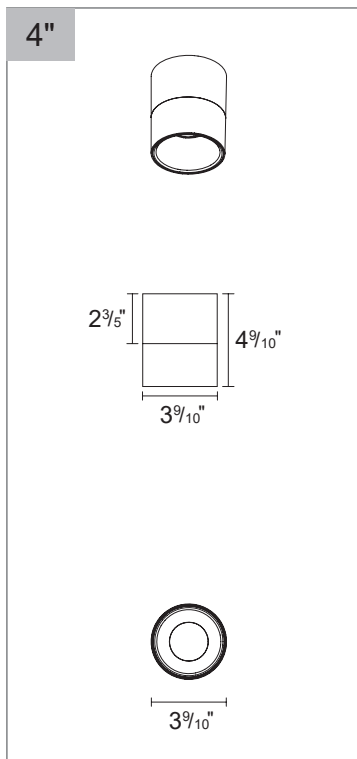
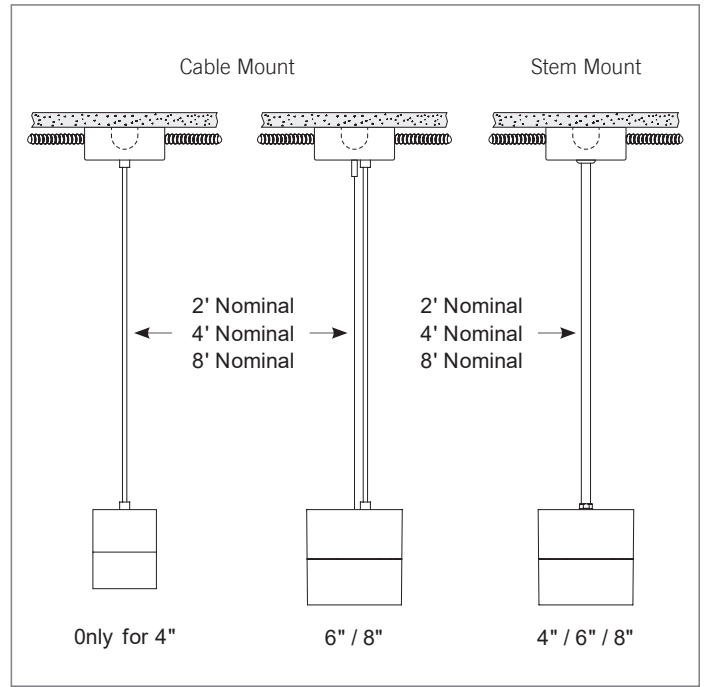
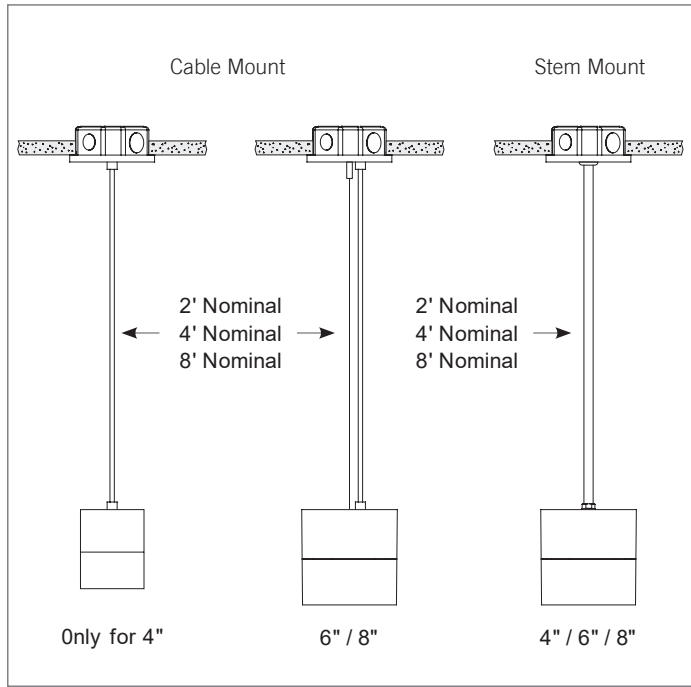
Emergency Lumen Output:

Fixture Efficacy	Output Power 8w
80 lm/w	640 Lumens

\*Contact Vendor

LCP Pendant / Cylinder Pendants / (Selectable Wattage)

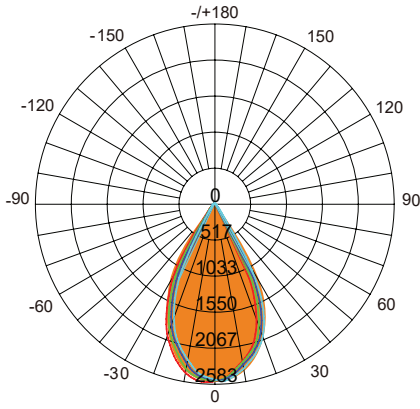
Dimensions



# Distribution Diagram

## LCP Pendant / Cylinder Pendants / (Selectable Wattage)

4" / 3000K / 60°



AVERAGE BEAM ANGLE(50%): 61.0°

Test Number: CY4R-SP30F  
 Lumens: 2612.6 Lm  
 Watts: 25 W  
 LPW: 103.94 Lm/W  
 CCT: 3000K

UNIT: cd  
 C0/180,61.0°  
 C30/210,61.1°  
 C60/240,61.1°  
 C90/270,60.7°

Zonal Flux Diagram

Y	C0	C45	C90	C135	C180
10	2751	2786	2868	2917	2931
20	2335	2466	2558	2593	2538
30	1094	1535	1818	1905	1800
40	155.1	194.4	245.3	438.2	400.3
50	62.68	63.03	65.58	79.00	102.6
60	44.26	44.48	45.54	54.19	62.64
70	23.80	23.01	22.92	28.39	34.03
80	2.913	5.007	6.675	7.312	11.58
90	0.1544	0.1118	0.3414	0.4778	0.2661
100	0.0980	0.1167	0.1027	0.1260	0.1499
110	0.1725	0.2939	0.8678	0.2707	0.6863
120	0.3081	0.3082	0.3596	0.3502	0.7190
130	0.8022	0.6450	0.4290	0.4484	0.8034
140	2.066	1.785	1.408	1.243	1.589
150	3.714	3.274	2.851	2.718	3.120
160	5.316	4.917	4.461	4.184	4.698
170	6.381	6.205	6.044	5.930	6.233
180	6.788	6.806	6.652	6.657	6.797
DEG	LUMINOUS INTENSITY:cd				

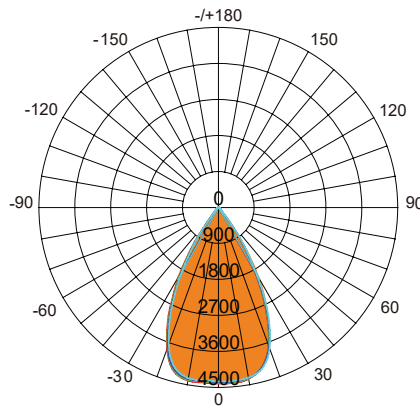
Zonal Lumens

Y	φ total
0-10	275.7
10-20	1016
20-30	1941
30-40	2403
40-50	2499
50-60	2552
60-70	2587
70-80	2603
80-90	2605
90-100	2605
100-110	2605
110-120	2606
120-130	2606
130-140	2607
140-150	2609
150-160	2610
160-170	2612
170-180	2613
	UNIT: lm

Luminance cd/(m2)

G(DEG)	C0/180	C90/270
85	2079	6732
80	2892	6628
75	8458	9206
70	11997	11556
65	13945	13764
60	15263	15703
55	16203	17152
50	16813	17592
45	17695	27503

6" / 3000K / 60°



AVERAGE BEAM ANGLE(50%): 59.6°

Test Number: CY6R-SP30F  
 Lumens: 5046.4 Lm  
 Watts: 40 W  
 LPW: 111.38 Lm/W  
 CCT: 3000K

UNIT: cd  
 C0/180,59.5°  
 C30/210,59.5°  
 C60/240,59.6°  
 C90/270,59.6°

Zonal Flux Diagram

Y	C0	C45	C90	C135	C180
10	5529	5511	5486	5486	5576
20	4834	4887	4923	4940	4963
30	2643	2758	2803	2894	2818
40	433.5	487.4	508.0	551.8	472.2
50	100.6	104.4	102.4	105.5	99.85
60	72.33	72.16	70.84	70.56	71.23
70	44.46	45.15	44.15	44.05	43.76
80	18.19	18.90	17.92	18.39	18.56
90	0.1782	0.1447	0.1496	0.1447	0.1447
100	0.1727	0.1868	0.1494	0.1821	0.1729
110	0.2565	0.2615	0.2147	0.2568	0.2569
120	0.3688	0.3923	0.3823	0.3596	0.3737
130	1.082	1.047	0.9929	0.9770	1.080
140	3.232	3.112	3.031	2.920	3.318
150	6.392	6.202	6.089	5.889	6.530
160	9.529	9.302	9.245	9.017	9.601
170	12.21	12.07	11.91	11.77	12.11
180	13.29	13.37	13.15	13.16	13.31
DEG	LUMINOUS INTENSITY:cd				

Zonal Lumens

Y	φ total
0-10	526.3
10-20	2017
20-30	3780
30-40	4714
40-50	4863
50-60	4936
60-70	4993
70-80	5025
80-90	5033
90-100	5033
100-110	5033
110-120	5033
120-130	5034
130-140	5036
140-150	5039
150-160	5042
160-170	5045
170-180	5046
	UNIT: lm

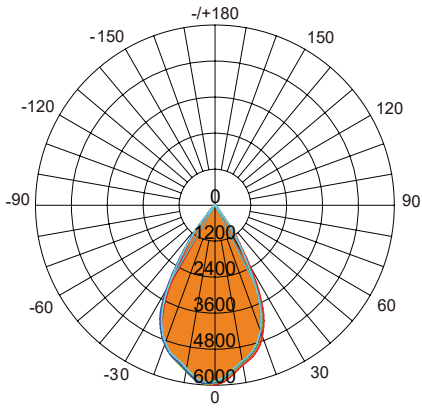
Luminance cd/(m2)

G(DEG)	C0/180	C90/270
85	514.1	505.9
80	6800	670.3
75	7678	764.0
70	8441	838.2
65	9032	890.6
60	9393	920.0
55	9336	907.2
50	1016.3	1034.9
45	1473.7	1554.9

# Distribution Diagram

## LCP Pendant / Cylinder Pendants / (Selectable Wattage)

8" / 3000K / 60°



AVERAGE BEAM ANGLE(50%): 57.7°

Test Number: CY8R-SP30F      UNIT: cd  
 Lumens: 6000.6 Lm      — C0/180,57.5°  
 Watts: 60 W      — C30/210,57.8°  
 LPW: 95.85 Lm/W      — C60/240,58.0°  
 CCT: 3000K      — C90/270,57.5°

Zonal Flux Diagram

Y	C0	C45	C90	C135	C180
10	6752	6641	6582	6635	6997
20	5798	5610	5550	5774	6119
30	2943	2631	2544	3088	3598
40	323.2	281.4	268.1	369.4	569.4
50	101.4	92.02	90.41	103.3	137.4
60	66.11	63.45	62.41	64.37	68.46
70	40.56	38.05	37.37	39.94	43.13
80	16.48	14.58	14.33	16.84	19.29
90	0.1635	0.1495	0.1728	0.1494	0.6340
100	0.1633	0.2008	0.1867	0.1961	0.1821
110	0.2426	0.2895	0.2613	0.2755	0.2615
120	0.4150	0.4624	0.4521	0.4110	0.3877
130	1.310	1.501	1.445	1.183	1.038
140	4.020	4.396	4.323	3.738	3.636
150	7.830	3.274	2.851	2.718	3.120
160	11.69	12.09	12.00	11.29	11.30
170	15.06	15.17	14.99	14.64	14.78
180	16.06	16.06	15.84	15.86	16.12
DEG	LUMINOUS INTENSITY:cd				

Zonal Lumens

Y	φ total
0-10	670.6
10-20	2462
20-30	4629
30-40	5655
40-50	5820
50-60	5892
60-70	5945
70-80	5976
80-90	5984
90-100	5985
100-110	5985
110-120	5985
120-130	5986
130-140	5988
140-150	5991
150-160	5995
160-170	5999
170-180	6001
DEG	UNIT: lm

Luminance cd/(m2)

G(DEG)	C0/180	C90/270
85	2815	2099
80	3569	3101
75	4060	3666
70	4458	4108
65	4761	4451
60	4970	4692
55	5058	4836
50	5932	5288
45	9205	8235