

6" Round Dome Downlight/Surface

Project: _____
 Type: _____
 Model#: _____

DESCRIPTION

6" surface mount/recessed LED trim, is compatible with most 5 & 6" standard recessed new construction and remodel housings. Universal mounting hardware allows mounting to all standard junction boxes. Optional Recessed Housing Adapter available.

PRODUCT SPECIFICATIONS

- White painted spun aluminum body.
- Oversized trim ring constructed from one-piece spun aluminum body.
- Torsion spring mounting accessories are designed to accommodate most 5" and 6" standard and shallow housings.
- E26 medium screw-base Edison adapter provides easy installation into Incandescent housings.
- (GU10 and GU24 socket adapter available - sold separately)

LED LIGHT ENGINE

- Protected LED driver performs at 120V.
- Dimming down to 5% with most TRIAC dimmers.
- CCT: 3000K & 4000K available
- Operating Temperature: -15°F to 104°F
- Long life LED chips guaranteed up to 50,000 hours.

LISTINGS

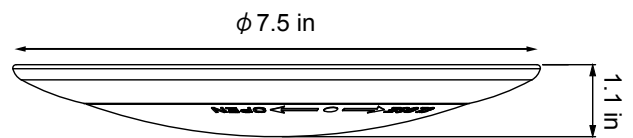
- ETL classified
- Damp locations (Not suitable for saline conditions)
- RoHS compliances
- Tested in accordance with IESNA LM79 & LM80
- Compatible dimmers, SCL-153P, CTCL-153P, DVCL-153P, MACL-153M

PERFORMANCE DATA

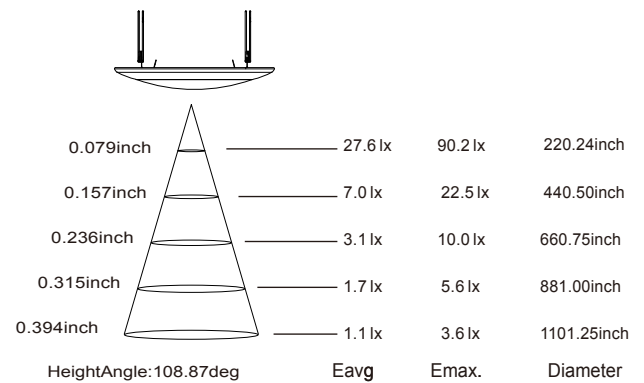
CCT	Lumens	Watts	CRI	Input Voltage	Frequency
3000K	930 Lm	15W	90	120V	50/60Hz
4000K	980 Lm				



DIMENSIONS

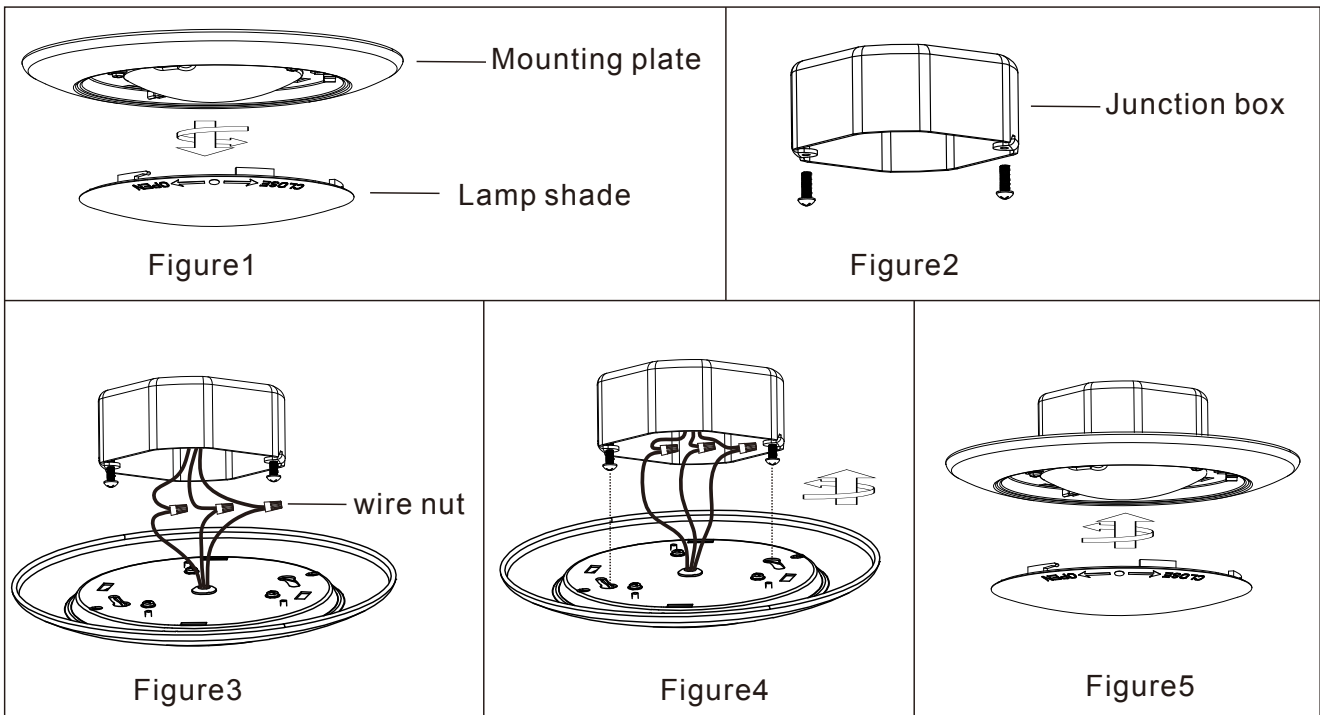


PHOTOMETRIC

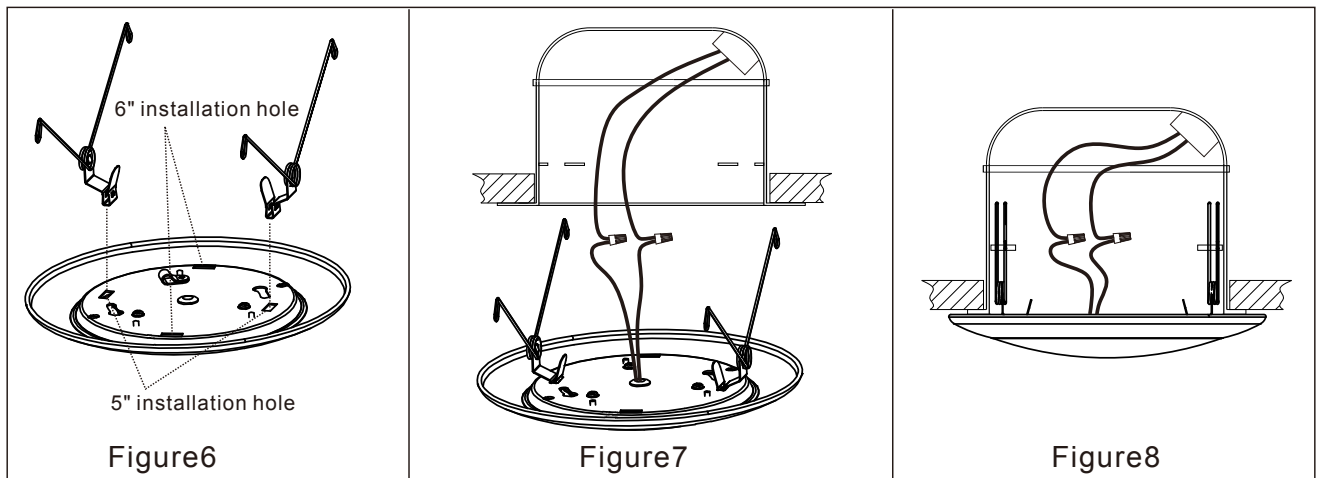


Series	Reflector	Watts	CCT	Voltage
DL-6	RD = Round Dome	15W	30K = 3000K 40K = 4000K	Z = 120VAC

Enter configuration: _____



2. Installation for recessed housings with torsion spring:



WARNING : Risk of fire or electric shock. Luminaire's wiring, ballast(s), or other electrical parts may be damaged when drilling for installation of reflector kit hardware. If drilling is required in any installation, check for enclosed wiring and components and be careful to protect them from any harm. To prevent wiring damage or abrasion, do not expose wiring to edges of sheet metal or other sharp objects.

THIS PRODUCT MUST BE INSTALLED IN ACCORDANCE WITH THE APPLICABLE INSTALLATION CODE BY A PERSON FAMILIAR WITH THE CONSTRUCTION AND OPERATION OF THE PRODUCT AND THE HAZARDS INVOLVED.

Each fixture includes a socket adapter for use with a standard 120V medium (E26) base socket adapter, a pair of torsion spring clips. See Figure 2

