

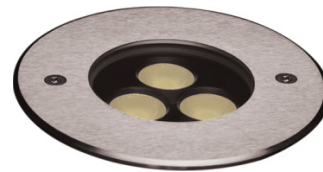
RIM / RIN

Symmetrical Round / Square Inground Flood Light

Project: _____
 Type: _____
 Model: _____

Features:

- HOUSING MATERIALS** | Die-casting dark grey powder coated aluminum
T=60~80 um./Adhesion of ISO class, 1.ATM class 4B
- FRONT COVER** | Chrome plated stainless steel SUS 316#
- GLASS LENS** | Tempered step glass. T=8mm
- DIMMABLE** | Yes*
- CONCRETE POUR KIT / SLEEVE** | ABS
- WATER-TIGHT CABLE GLAND** | IP68
- REFLECTOR** | Optical reflector 9° / 15° / 20° / 30° / 45°
- LED** | OSRAM
- OPERATING TEMPERATURE** | -4°F to 104°F
- POWER CABLE** | H05RN-F 2X1.0mm² L=0.5m (low voltage)
- FIXTURE IP/ IK Rating** | IP66 Rated / IK08



RIM



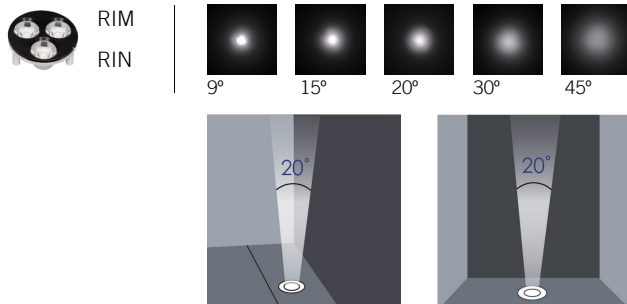
RIN

OPTIONAL LOUVER

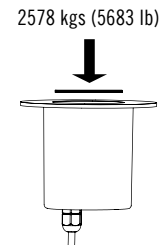


LH012
Optional Accessory
Hexcell Louver

OPTICS



GLASS PRESSURE CAPACITY



Example: RIM-3L20K-D45-X-SS

Series	Lumens (CCT)			Beam Angle					Accessory	Voltage	Finish
RIM Round Inground 5.2 Watts	3L20K 3L (2000K) 376 Lumens	4L30K 4L (3000K) 479 Lumens	5L50K 5L (5000K) 500 Lumens	D9 9°	D15 15°	D20 20°	D30 30°	D45 45°	Leave Blank	X 24 Volts	SS Stainless Steel 316
RIN Square Inground 5.2 Watts									LH012 Hexcell Louver Accessory	Requires remote 24V transformer. For dimming, refer to specs of transformer you are using.*	

Enter configuration: _____

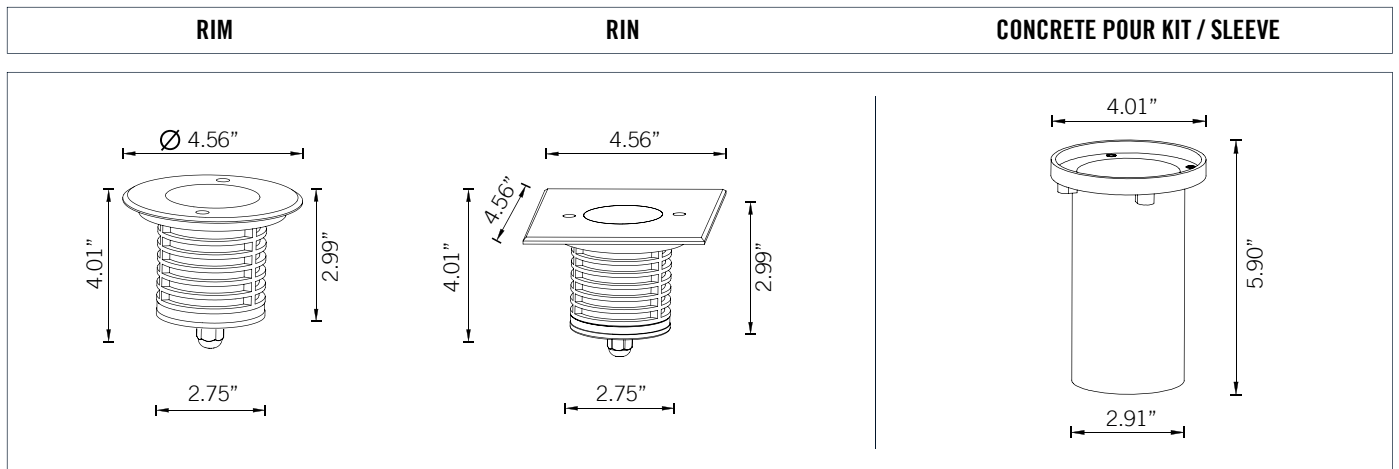
** Special Order

Dimensions and values shown are nominal. LuminosoLED continually works to improve products and reserves the right to make changes which may alter the performance or appearance of products.

PERFORMANCE DATA

Series	RIM / RIN
Power	5.2W
Lumens	376 (20K) 479 (30K) 500 (50K)
IP Rating	IP66
Operating Temp.	-4°F to 104°F
Input	24V

DIMENSIONS



PHOTOMETRIC CURVES

