

### DESCRIPTION

Our YTC Amber Cylinder Light is engineered for turtle-safe compliance, emitting a 590 nm amber wavelength that meets nighttime lighting requirements while minimizing impact on marine life. The fixture features adjustable light distribution and beam direction for versatile application across various environments. A standard photocell enables automatic operation for improved energy efficiency. Ideal for low-impact exterior lighting in coastal buildings, agricultural facilities, residential exteriors, and other environmentally sensitive areas.

Project:	Date
Type:	
Model:	

### SPECIFICATIONS

#### Construction:

- Heavy-gauge aluminum housing delivers long-lasting durability and dependable performance in even the most demanding environments.

#### Optics:

- Turtle and wildlife-friendly 590nm amber light
- Polycarbonate is a durable, transparent, and lightweight thermoplastic material.

#### Electrical:

- 120-277VAC / 50/60Hz.
- THD: ≤20%

#### Controls:

- Photocell included

#### Ambient Temperature:

- Ambient operating temperature -40°F to 113°F.

#### Lifespan:

- Estimated 50,000-hour LED lifespan based
- on IES LM-80 results and TM-21 calculations



### ORDER INFORMATION

EXAMPLE: YTC-38W-Y-AMB-PC-BZ



Series	Wattage	Voltage	LED Color	Emergency Battery Back-up	Finish
YTC Amber LED Wall Pack Turtle safe	<b>20W</b> 20 Watts	<b>Y</b> 120-277V	<b>AMB</b> Amber 590nm	<b>Blank</b> No EB	<b>BZ</b> Bronze
	<b>38W</b> 38 Watts			<b>EB</b> Emergency Battery Back-up	<b>WH</b> White
					<b>BK**</b> Black

Enter configuration: \_\_\_\_\_

\*\* Contact factory for lead-time

Dimensions and values shown are nominal. LuminosoLED continually works to improve products and reserves the right to make changes which may alter the performance or appearance of products.

**PERFORMANCE DATA**

Model	Wattage	Lumens	Efficacy	LED Color	Power Factor	Frequency	Voltage
YTC	20W	750	38	Amber 590nm	>0.9	50/60Hz	120-277V
	38W	1,400	37				

**ELECTRICAL DATA**

Model Series	Wattage(W)	Current (A)				
		Input Voltage (V)				
		120	208	240	277	347
YTC-20W	20	0.19	0.11	0.09	0.08	0.06
YTC-38W	38	0.35	0.21	0.18	0.15	0.12

**BEAM DISTRIBUTION CONFIGURATIONS**

**Distribution Setting**

Switch	Distribution Selection	Default Setting
1	Full & Narrow Light	Full & Narrow Light
2	Up & Narrow + Down & Wide Light	
3	Up & Wide + Down & Narrow Light	
4	Full & Wide Light	

**Direction Setting**

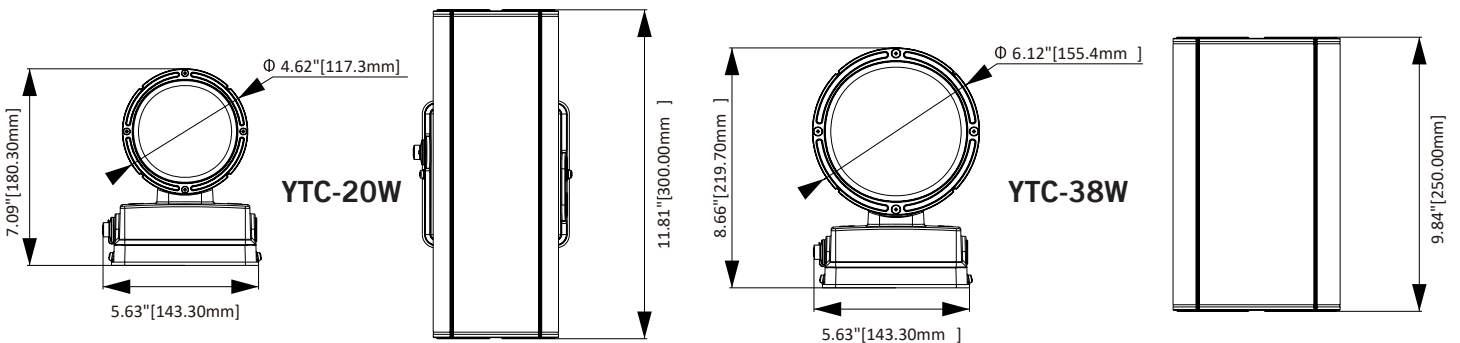
Up  
Full  
Down

Adjust direction among Up/Full/Down, Full light default setting  
Note: Power is reduced by 50% in single-sided mode.

BEAM SELECTABLE  
UP-DOWN LIGHTING SELECTABLE

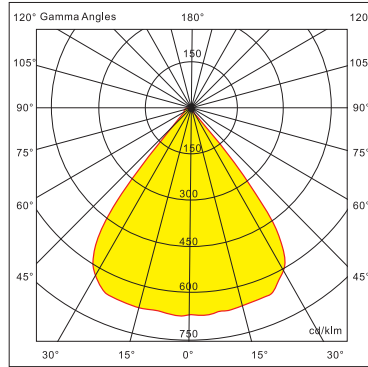
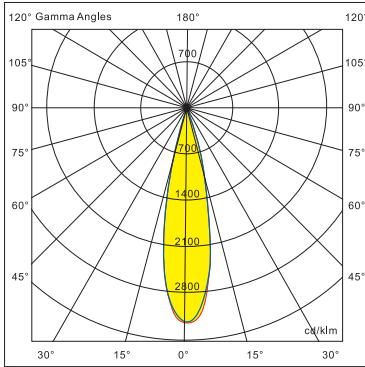
1 FULL & NARROW LIGHT  
2 UP & NARROW + DOWN & WIDE  
3 UP & WIDE + DOWN & NARROW  
4 FULL & WIDE LIGHT  
5 UP LIGHT ONLY  
6 FULL UP & DOWN  
7 DOWN LIGHT ONLY

**DIMENSIONS**

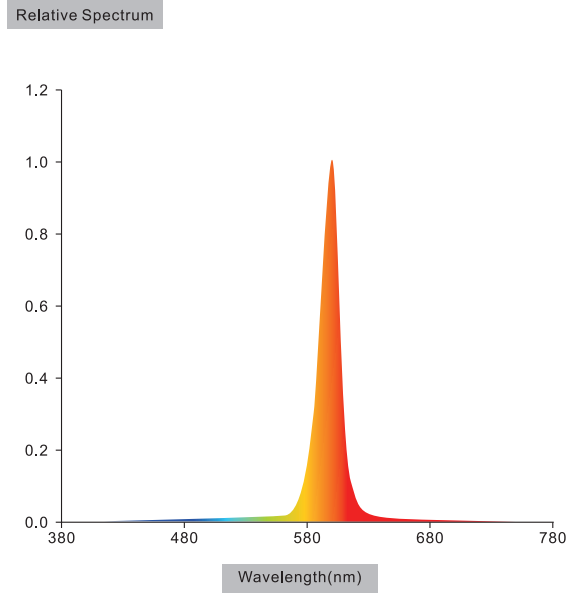


**PHOTOMETRICS**

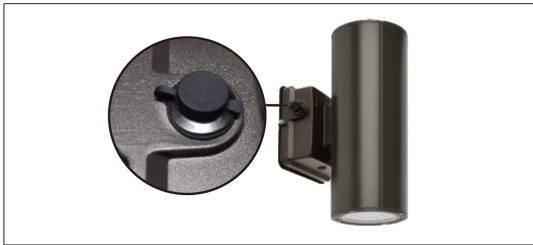
Note: Narrow and Wide distribution can be selected via switch.



**SPECTRAL CHART**

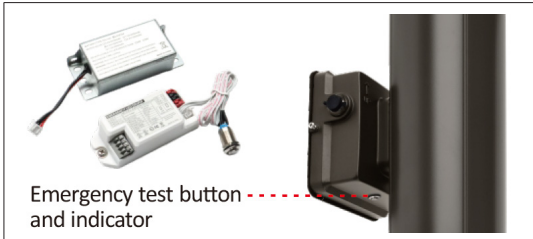


**ACCESSORIES (Photocell Standard)**



**PC**  
Photocell with daylight cover  
(Standard)

**EMERGENCY BATTERY BACK-UP (Optional)**



**EB**  
Factory installed  
Emergency Battery  
Back-up  
4W/90min  
120-277VAC