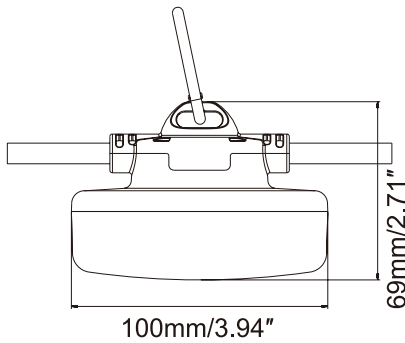


LCL-P (Construction Puck Light)

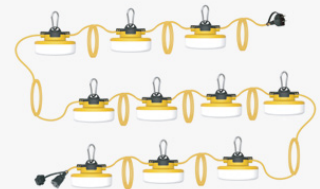


LCL-P-5
5 lamps one set 65W



Maximum link 10 sets (16 AWG)

LCL-P-10
10 lamps one set 130W



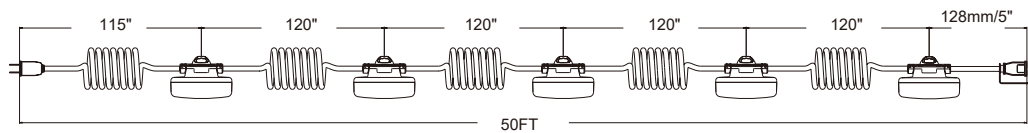
Maximum link 5 sets (16 AWG)

DESCRIPTION

Introducing our construction lights, available in convenient increments of 50FT and 100FT. Illuminate your worksite with ease, ensuring ample coverage and visibility across various construction projects. Built to withstand rugged environments, these lights offer durability and reliability to support your endeavors, from small-scale projects to large-scale developments.

FEATURES

- Portable and flexible.
- Fitted with spring snaps
- 80CRI
- Wet Rated IP65
- IK07
- Polypropylene
- 50,000 hours life span
- Uses 16 AWG heavy duty 3 wire.



MODEL	VOLTAGE	WATTS	EFFICACY	LUMENS (5000K)	CRI	IP RATING	DIMMABLE	LENGTH	MATERIAL	LENS
LCL-P-5 5 Lamp Set	AC 120V	65W	125Lm/W	8,000Lm	80	IP65	NO	50ft	PC Housing	Opal White
LCL-P-10 10 Lamp Set	AC 120V	130W	125Lm/W	16,000Lm	80	IP65	NO	100ft	PC Housing	Opal White

Dimensions and values shown are nominal. LuminosoLED continually works to improve products and reserves the right to make changes which may alter the performance or appearance of products.