

Project: \_\_\_\_\_  
 Type: \_\_\_\_\_  
 Model: \_\_\_\_\_

**PRODUCT SPECIFICATIONS**

The Luminoso ECPY Series offers an excellent solution for canopy retrofit projects. Users who opt for the ECPY can anticipate energy savings exceeding 60% while maintaining essential light levels. It is available in three power options: 27W, 45W, and 65W, with lumen packages spanning from 3,750 to 6,600 lumens, featuring an average efficacy of 100-138 lumens per watt (LPW). This series exemplifies the cutting-edge technology that has become a hallmark of Luminoso products.

**PERFORMANCE SUMMARY**

- Sealed die-casting profile for indoor and outdoor applications.
- Voltage is 120-277V.
- Lumen output from 3,750 - 6,600lm with efficacy up to 138lm/W.
- 80 CRI
- Optional Parking Garage Photometry or Low Bay Photometry as per applications.
- Replacing 100W MH and 175W MH.
- Operating temperature is -4°F to 122°F
- UL and DLC premium qualified.
- 0-10V Dimming optional.



**ORDER INFORMATION**

EXAMPLE: ECPY-14-65W-40K-W-Y-BZ



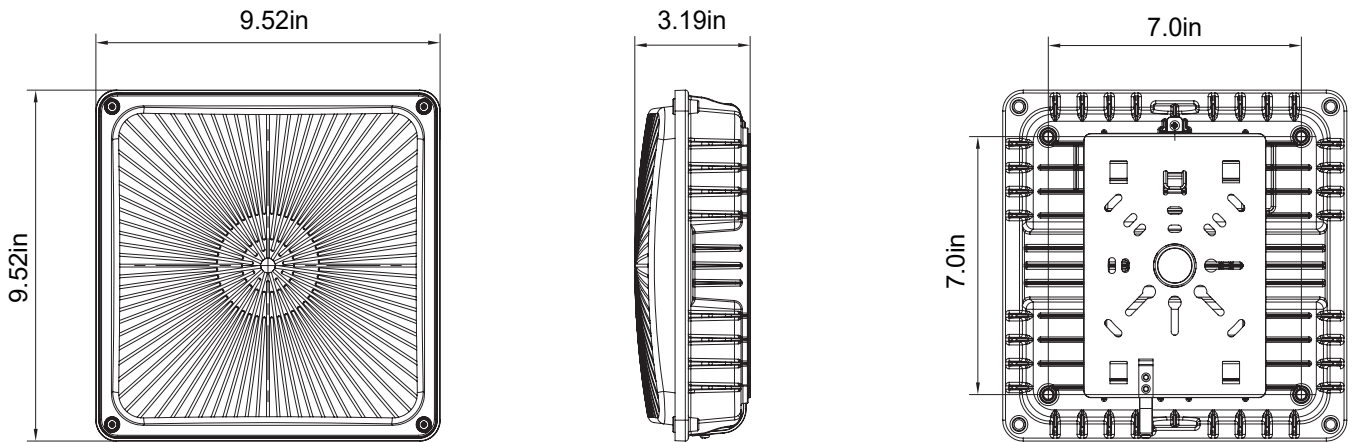
Series	Mount	Wattage	CCT	Optics	Voltage	Finish
ECPY Canopy	14 Surface Mount	27W	40K 4000K	W 160°	Y 120-277V	BZ Bronze
		45W	50K 5000K			WH White
		65W				

Enter configuration: \_\_\_\_\_

PERFORMANCE DATA

Series No.	ECPY-27W	ECPY-45W	ECPY-65W
Power	27W	45W	65W
Lumens	3,750 (40K) / 3,800 (50K)	4,100 (40K) / 4,200 (50K)	6,500 (40K) / 6,600 (50K)
Efficacy	138 LPW	93 LPW	101 LPW
Dimensions (L x W x H)	9.56 x 9.56 x 3.10 in	9.56 x 9.56 x 3.10 in	9.56 x 9.56 x 3.10 in
Input	120-277V	120-277V	120-277V
Operating Temp.	-4°F ~ 122°F	-4°F ~ 122°F	-4°F ~ 122°F

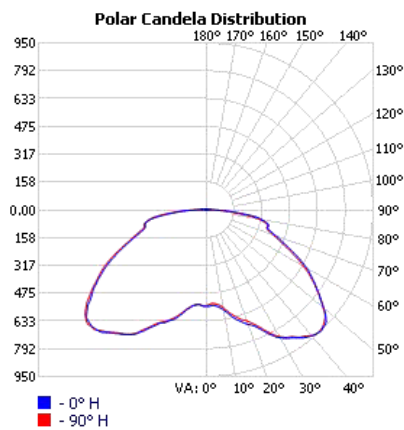
DIMENSIONS



PHOTOMETRY

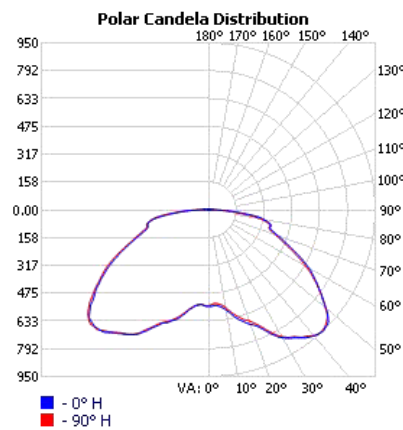
Luminous Intensity Distribution Curve

27W



Luminous Intensity Distribution Curve

45W



Luminous Intensity Distribution Curve

65W

