

## DESCRIPTION

Our Dual Selectable Backlit Panels are commercial luminaires that utilizes advanced driver technology to provide an all in one luminaire, providing 3 wattages and 3 CCT options in each size panel. This provides superior lighting performance while minimizing inventory by reducing the amount of stocking SKUs. They achieve high uniformity, DLC PREMIUM energy efficiency and reduced glare in typical T-bar grid ceiling applications.

Our state-of-the-art backlit LED technology utilizes PMMA lensing over the LEDs which will not discolor over time. The need for a light guide is eliminated, thus increasing photometric performance while keeping costs competitive. Combined with the rigid back enclosure that prevents warping in application, this luminaire is designed for worry-free longevity and reliability. Available with factory installed battery backup for 90 minutes emergency egress illumination.

## SPECIFICATIONS

### Construction

- Steel die-formed back-cover & frame, screw-less.

### Optics

- PMMA lens over LEDs, PS diffuser
- Prismatic Lens, Low URG (17-19)
- 120° Beam angle
- 3CCT Selectable 3500K/4000K/5000K

### Electrical

- 0-10VDC Dimming (10%-100%)

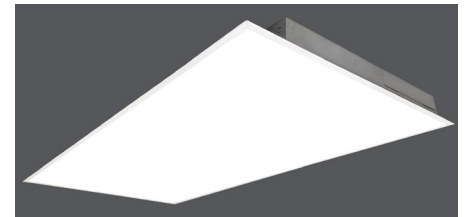
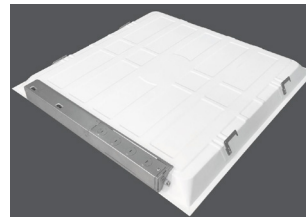
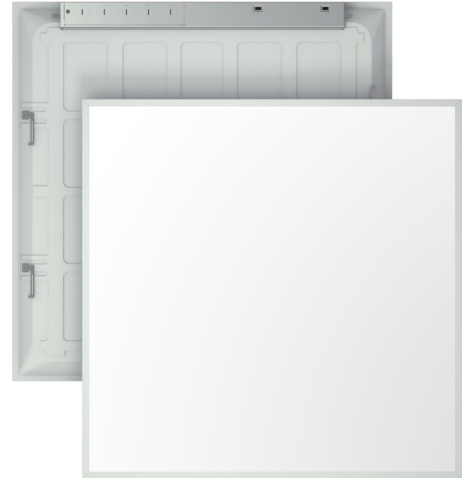
### Certifications

- UL Listed for Damp Locations
- IC Rated for insulated ceilings
- RoHS, FCC
- DLC PREMIUM
- -5°F to 120°F

### Warranty

- 5 Years

Project:	Date
Type:	
Model:	



## ORDER INFORMATION

EXAMPLE: SFP24-WS50-Y-CCTS



Series	Wattage Selectable	Voltage	CCT	Emergency Battery Backup
<b>SFP22</b> 2x2 Frame-less Panel	<b>WS40</b> Wattage Selectable (20 / 30 / 40)	<b>Y</b> 120-277V	<b>CCTS</b> Color Temperature Selectable (3500K / 4000K / 5000K)	<b>(Blank)</b> w/o Battery Backup
<b>SFP24</b> 2x4 Frame-less Panel	<b>WS50</b> Wattage Selectable (30 / 40 / 50)			<b>EB</b> Emergency Battery Backup (90 minutes of illumination when AC power is removed)
<b>SFP14</b> 1x4 Frame-less Panel	<b>WS40</b> Wattage Selectable (20 / 30 / 40)			

Enter configuration:

---

Dimensions and values shown are nominal. LuminosoLED continually works to improve products and reserves the right to make changes which may alter the performance or appearance of products.

# SFP Series / Frame-less Panels

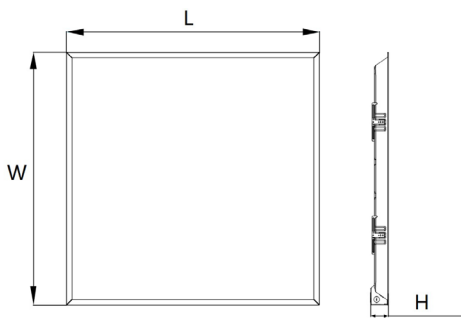
1x4, 2x4, 2x2 / Wattage & CCT Selectable



## PERFORMANCE DATA

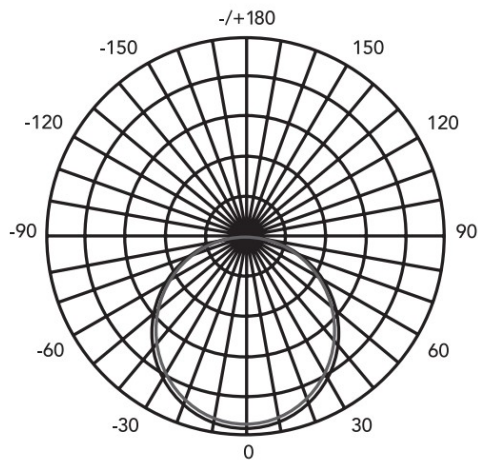
Series	SFP22 (2x2) & SFP14 (1x4)			SFP24 (2x4)		
Wattage	20	30	40	30	40	50
CCT	3500K	4000K	5000K	3500K	4000K	5000K
Lumens	2,500	3,750	5,000	3,750	5,000	6,250
Efficacy (LPW)	125			125		
CRI	80					
Input Voltage	120-277VAC 50/60Hz					
Certifications	UL Listed, FCC, RoHS					
Operating Temp.	-5°F to 120°F					
PF / THD	>0.9, <20%					
Dimming	0-10V (5%-100%)					

## DIMENSIONS



Size (FT)	LxWxH
2x2	23.74"x23.74"x1.65"
1x4	47.76"x11.93"x1.65"
2x4	47.76"x23.74"x1.65"

## PHOTOMETRICS








# SFP Series / Frame-less Panels

1x4, 2x4, 2x2 / Wattage & CCT Selectable



## ACCESSORIES (Surface Mount kit & Flange kit)

Series	Description	
SFP24-SMK	2X4 Surface Mount Kit, White Finish	
SFP22-SMK	2X2 Surface Mount Kit, White Finish	
SFP14-SMK	1X4 Surface Mount Kit, White Finish	

Series	Description	
SFP24-DWK	2X4 Flange Kit, White Finish, 49.52 X 25.9 X 1.57 inch	
SFP22-DWK	2X2 Flange Kit, White Finish, 25.9 X 25.9 X 1.57 inch	
SFP14-DWK	1X4 Flange Kit, White Finish, 49.52 X 14.1 X 1.57 inch	